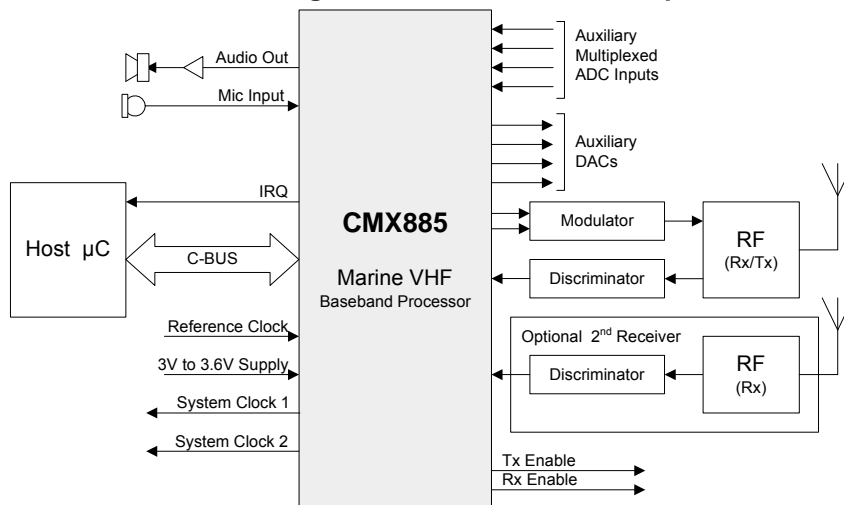


D/885/3 December 2010

Audio and Signalling Processing, DTMF, DSC/ATIS and NOAA with Auxiliary Functions for use in Marine VHF Systems

Features

- Concurrent Audio/Signalling/Data Operations
- Complete Audio-band Processing:
 - Selectable Audio Processing Order
 - Pre and De-emphasis
 - Selectable 2.55/3.0 kHz Filtering
 - Limiter
- DSC/ATIS Modem for Marine Applications
- Programmable Voice Scrambler
- Inband Signalling: DTMF, NOAA NWR
- C-BUS Serial Interface to Host μ Controller
- DTMF and Audio Tone Encoder/Decoder
- Small VQFN and LQFP Packages
- Dual Auxiliary ADC, 4 Multiplexed Inputs
- 4 x Auxiliary DACs
- Dual Programmable System Clock Outputs
- Tx Outputs for Single, Two-Point Modulation
- 3 x Analogue Inputs (Mic or Discriminator)
- Digital Gain Adjustment
- Default 3.6864MHz Xtal/Clock
- Flexible Powersave Modes
- Low-power 3.0V to 3.6V Operation



1 Brief Description

The CMX885 is a half-duplex, audio, signalling and data processing IC for use in Marine VHF radio systems.

Comprehensive audio processing facilities include complete audio processing, filtering, pre- or de-emphasis and frequency inversion scrambling. Signal routing and filtering is included to assist host μ C based signal encoding/decoding applications.

1200bps Digital Selcall (DSC) or Automatic Transmitter Identification System (ATIS) modem with protocol support and NWR decoding are supported.

A DTMF encoder/decoder, a full complement of auxiliary ADCs and DACs and dual synthesised clock outputs are included in this low power PMR processor. The device also has flexible powersaving modes and is available in 48-pin VQFN and LQFP packages.

CONTENTS

<u>Section</u>	<u>Page</u>
1 Brief Description.....	1
1.1 History.....	5
2 Block Diagram	6
3 Signal and Pin List	7
3.1 Signal Definitions.....	9
4 External Components	10
5 PCB Layout Guidelines and Power Supply Decoupling.....	12
6 General Description	13
7 Detailed Descriptions.....	14
7.1 Device Ident Code	14
7.2 Xtal Frequency	14
7.3 Host Interface	14
7.4 Device Control.....	16
7.4.1 Signal Routing	16
7.4.2 Mode Control	17
7.5 Audio Functions.....	18
7.5.1 Audio Receive Mode	18
7.5.2 Audio Transmit Mode	20
7.6 Inband Signalling	23
7.6.1 Receiving DTMF Tones.....	23
7.6.2 Transmitting DTMF Tones.....	23
7.7 DSC modem - (FSK 1200bps)	24
7.7.1 Receiving DSC Signals	25
7.7.2 Transmitting DSC Signals	26
7.8 NOAA/NWR SAME and WAT Decoding	27
7.8.1 Message Code Format.....	28
7.8.2 WAT Detection	29
7.8.3 SAME Decoding	29
7.9 Auxiliary ADC Operation	29
7.10 Auxiliary DAC/RAMDAC Operation.....	30
7.11 Digital System Clock Generator	31
7.11.1 Main Clock Operation	31
7.11.2 System Clock Operation	32
7.12 GPIO.....	32
7.13 Signal Level Optimisation	32
7.13.1 Transmit Path Levels	32
7.13.2 Receive Path Levels	32
7.14 C-BUS Interface	33
7.14.1 Interrupt Operation.....	33
7.14.2 General Notes.....	33
8 Configuration Guide.....	34

8.1	C-BUS Register Summary	34
8.1.1	Reset Operations.....	35
8.1.2	General Reset – \$01 write.....	35
8.1.3	AuxADC and Tx MOD Mode – \$A7 write	36
8.1.4	AuxDAC Control/Data – \$A8 write	37
8.1.5	AuxADC1 Data – \$A9 read.....	38
8.1.6	AuxADC2 Data – \$AA read	38
8.1.7	SYSCLK1 and SYSCLK2 PLL Data – \$AB, \$AD write	39
8.1.8	SYSCLK1 and SYSCLK2 REF – \$AC and \$AE write	39
8.1.9	Analogue Output Gain – \$B0 write.....	40
8.1.10	Input Gain and Output Signal Routing – \$B1 write.....	41
8.1.11	Reserved – \$B2 write.....	41
8.1.12	Reserved – \$B3 write.....	41
8.1.13	Reserved – \$B4 8-bit read.....	41
8.1.14	AuxADC Threshold Data – \$B5 write	42
8.1.15	Reserved – \$B6 write.....	42
8.1.16	NWR Status and Data – \$BB read	42
8.1.17	Powerdown Control – \$C0 write	42
8.1.18	Mode Control – \$C1 write	43
8.1.19	Audio Control – \$C2 write.....	44
8.1.20	Tx Inband Tones – \$C3 write.....	44
8.1.21	Rx Data 1 – \$C5 read	44
8.1.22	Status – \$C6 read	45
8.1.23	Modem Configuration – \$C7 write	46
8.1.24	Programming Register – \$C8 write.....	46
8.1.25	Tx Data 1 – \$CA write	46
8.1.26	Tone Status – \$CC read	47
8.1.27	Audio Tone – \$CD write.....	48
8.1.28	Interrupt Mask – \$CE write	50
8.1.29	Reserved – \$CF write	50
8.2	Programming Register Operation.....	51
8.2.1	Program Block 0 – Modem Configuration	52
8.2.2	Program Block 1 – Inband Tone Setup	53
8.2.3	Program Block 2 – reserved.....	53
8.2.4	Program Block 3 – AuxDAC, RAMDAC and Clock Control	53
8.2.5	Program Block 4 – Gain and Offset Setup	54
8.2.6	Initialisation of the Program Blocks	58
9	Performance Specification	59
9.1	Electrical Performance	59
9.1.1	Absolute Maximum Ratings.....	59
9.1.2	Operating Limits	59
9.1.3	Operating Characteristics.....	60
9.1.4	Parametric Performance.....	65
9.2	C-BUS Timing.....	67
9.3	Packaging.....	68

<u>Table</u>	<u>Page</u>
Table 1 Definition of Power Supply and Reference Voltages.....	9

Table 2 Xtal/clock Frequency Settings for Program Block 3	14
Table 3 DTMF Tone Pairs.....	24
Table 4 Reset Operations	35
Table 5 Voice Level Attenuation	49
Table 6 Program Block Selection.....	51
Table 7 RAMDAC Values	54

<u>Figure</u>	<u>Page</u>
Figure 1 Block Diagram	6
Figure 2 Recommended External Components	10
Figure 3 Power Supply and De-coupling	12
Figure 4 C-BUS Transactions.....	15
Figure 5 Signal Routing	17
Figure 6 Rx 25kHz Channel Audio Filter Frequency Response.....	19
Figure 7 De-emphasis Curve for TIA/EIA-603 Compliance.....	19
Figure 8 Tx Channel Audio Filter Response and Template (ETSI)	21
Figure 9 Tx Channel Audio Filter Response and Template (TIA)	21
Figure 10 Audio Frequency Pre-emphasis	22
Figure 11 DSC format	24
Figure 12 DSC character format.....	25
Figure 13 Digital Clock Generation Schemes.....	31
Figure 14 Level Adjustments	33
Figure 15 Limiter Values	56
Figure 16 Default Tx Audio Filter Line-up	57
Figure 17 Default Rx Audio Filter Line-up.....	57
Figure 18 Preferred Tx Audio Filter Line-up	57
Figure 19 Preferred Rx Audio Filter Line-up.....	57
Figure 20 C-BUS Timing.....	67
Figure 21 Mechanical Outline of 48-pin VQFN (Q3).....	68
Figure 22 Mechanical Outline of 48-pin LQFP (L4).....	68

It is always recommended that you check for the latest product datasheet version from the CML website: [\[www.cmlmicro.com\]](http://www.cmlmicro.com).

1.1 History

Version	Changes	Date
3	<ul style="list-style-type: none"> • Clarified operation of Data End bit (b7) for DSC Rx mode in section 8.1.22. • Clarified the need for observing C-BUS latency when writing multiple C-BUS commands in section 7.3. • Minor typographical corrections in table of section 8.1.27, P4.10 and P4.11 values in section 8.2.5. 	20/12/2010
2	<ul style="list-style-type: none"> • Changed "Modem Control" to "Modem Configuration" register • Bit references changed to "\$C1:b12" style, for consistency • Changed name of \$C1:b2 to "Modem Enable" and \$C1:b4 to "Modem Source" • Deleted other references to "processing" in the description of \$C1 register bits • Deleted the reference to "clearing the En_DSC bit" at the end of section 7.7.1 • Xtal frequency tolerance in section 9.1.4 changed from 100ppm to 30ppm, to meet DSC specifications. • Corrected DAC3 to DAC4 in figure 1. • +1dB and 3dB limits apply to all Rx and Tx responses (figures 6 to 10). Wording changed accordingly in section 7.5. • "write" added to description of Audio Tone register (\$CD) in section 7.6. • Reference in \$C1 to bits 11-9 should read 11-8 in section 7.6. • Program Block registers P3.2 to P3.6 should read P3.2 - P3.7 in section 7.11.1. • GPIO RXENA and TXENA signals - nomenclature standardised in section 7.12. • Hyperlink added for \$C1 in section 8.1. • Correction of \$C0 b6 to "BIAS Block Enable" in section 8.1.17. • Merge table rows for \$CE b9 in section 8.1.28. • Removed references to MSK: these should be DSC in sections 7.7.1 and 7.7.2. • Clarification of Status register bit 3, Modem Control register bits 3-8 and bit 11, Interrupt Mask register bits 3 and 5. • Footnotes in Parametric Specifications harmonised with table references. • Minor typographical corrections. 	8/4/2010
1	<ul style="list-style-type: none"> • This document created – based on 7041FI-1.x documentation 	18/9/2009

2 Block Diagram

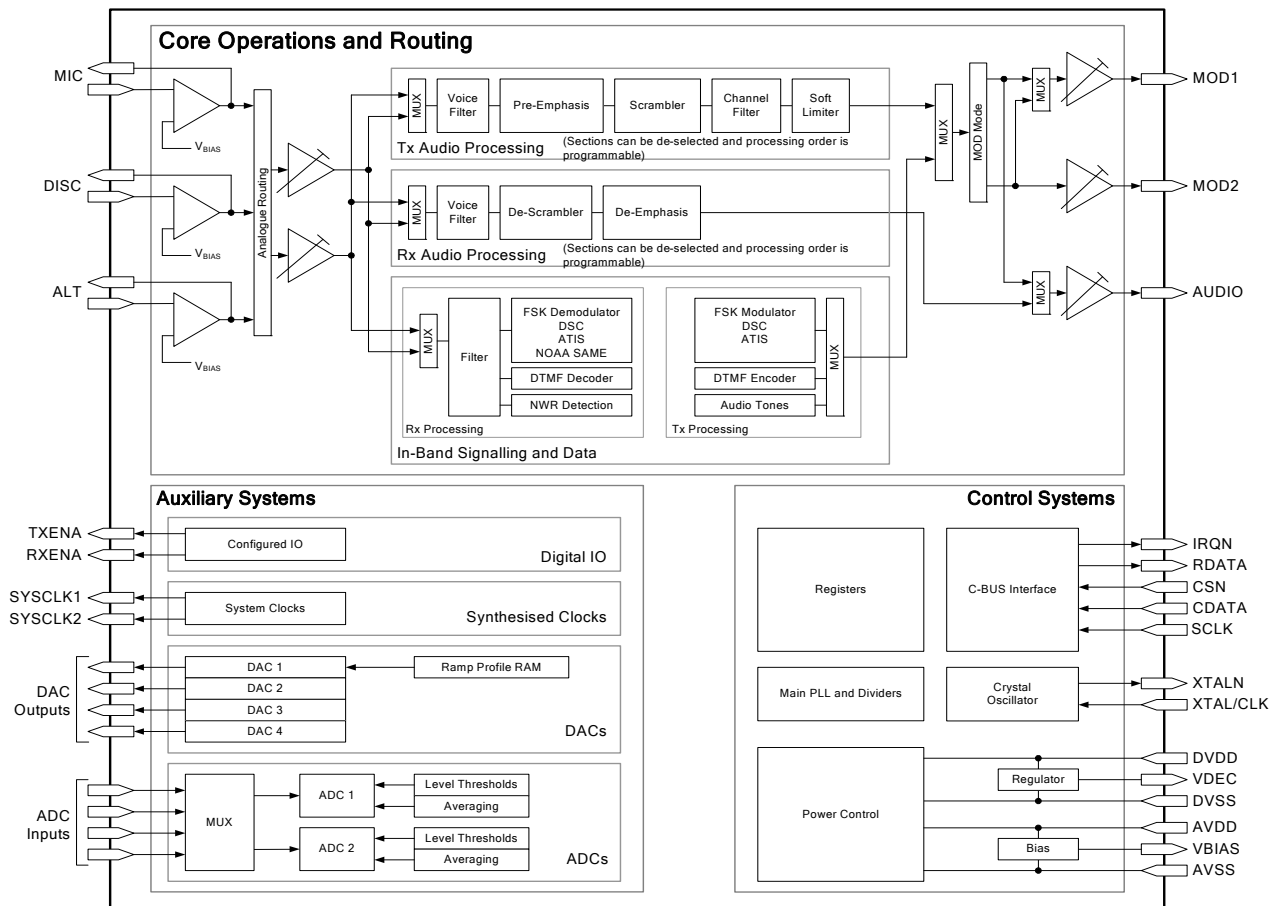


Figure 1 Block Diagram

3 Signal and Pin List

48-pin L4/Q3	Pin Name	Type	Description
1	-	NC	reserved – leave unconnected
2	-	NC	reserved – leave unconnected
3	-	NC	reserved – leave unconnected
4	-	NC	reserved – leave unconnected
5	-	NC	reserved – leave unconnected
6	-	NC	reserved – leave unconnected
7	DVSS	PWR	Digital Ground
8	IRQN	OP	C-BUS: A 'wire-ORable' output for connection to the Interrupt Request input of the host. Pulled down to DV _{SS} when active and is high impedance when inactive. An external pull-up resistor (R1) is required.
9	VDEC	PWR	Internally generated 2.5V digital supply voltage. Must be decoupled to DV _{SS} by capacitors mounted close to the device pins. No other connections allowed.
10	RXENA	OP	Rx Enable – active low when in Rx mode (\$C1:b0 = 1)
11	-	NC	reserved – leave unconnected
12	-	NC	reserved – leave unconnected
13	SYSClk1	OP	Synthesised Digital System Clock Output 1
14	DVSS	PWR	Digital Ground
15	TXENA	OP	Tx Enable – active low when in Tx mode (\$C1:b1 = 1)
16	DISCN	IP	Discriminator inverting input
17	DISCFB	OP	Discriminator input amplifier feedback
18	ALTN	IP	ALT inverting input
19	ALTFB	OP	ALT input amplifier feedback
20	MICFB	OP	MIC input amplifier feedback
21	MICN	IP	MIC inverting input
22	AVSS	PWR	Analogue Ground
23	MOD1	OP	Modulator 1 output
24	MOD2	OP	Modulator 2 output
25	VBIAS	OP	Internally generated bias voltage of about AV _{DD} /2, except when the device is in 'Powersave' mode when V _{BIAS} will discharge to AV _{SS} . Must be decoupled to AV _{SS} by a capacitor mounted close to the device pins. No other connections allowed.
26	AUDIO	OP	Audio output
27	ADC1	IP	Auxiliary ADC input (1)
28	ADC2	IP	Auxiliary ADC input (2)
29	ADC3	IP	Auxiliary ADC input (3)

48-pin L4/Q3	Pin Name	Type	Description
30	ADC4	IP	Auxiliary ADC input (4)
31	AVDD	PWR	Positive 3.3V supply rail for the analogue on-chip circuits. Levels and thresholds within the device are proportional to this voltage. This pin should be decoupled to AV _{SS} by capacitors mounted close to the device pins.
32	DAC1	OP	Auxiliary DAC output 1/RAMDAC
33	DAC2	OP	Auxiliary DAC output 2
34	AVSS	PWR	Analogue Ground
35	DAC3	OP	Auxiliary DAC output 3
36	DAC4	OP	Auxiliary DAC output 4
37	DVSS	PWR	Digital Ground
38	VDEC	PWR	Internally generated 2.5V supply voltage. Must be decoupled to DV _{SS} by capacitors mounted close to the device pins. No other connections allowed.
39	XTAL/CLK	IP	Input to the oscillator inverter from the Xtal circuit or external clock source.
40	XTALN	OP	The output of the on-chip Xtal oscillator inverter
41	DVDD	PWR	The 3.3V positive supply rail for the digital on-chip circuits. This pin should be decoupled to DV _{SS} by capacitors mounted close to the device pins
42	CDATA	IP	C-BUS: Serial data input from the μ C
43	RDATA	TS OP	C-BUS: A 3-state C-BUS serial data output to the μ C. This output is high impedance when not sending data to the μ C.
44	-	NC	Reserved – do not connect this pin
45	DVSS	PWR	Digital Ground
46	SCLK	IP	C-BUS: The C-BUS serial clock input from the μ C
47	SYCLK2	OP	Synthesised Digital System Clock Output 2
48	CSN	IP	C-BUS: The C-BUS chip select input from the μ C - there is no internal pullup on this input
EXPOSED METAL PAD	SUBSTRATE	~	On this device, the central metal pad (which is exposed on Q3 packages only) may be electrically unconnected or, alternatively, may be connected to Analogue Ground (AV _{SS}). No other electrical connections are permitted.

Notes:

- IP = Input (+ PU/PD = internal pullup/pulldown resistor)
- OP = Output
- BI = Bidirectional
- TS OP = 3-state Output
- PWR = Power Connection
- NC = No Connection - should NOT be connected to any signal

3.1 Signal Definitions

Table 1 Definition of Power Supply and Reference Voltages

Signal Name	Pins	Usage
AV _{DD}	AVDD	Power supply for analogue circuits
DV _{DD}	DVDD	Power supply for digital circuits
V _{DEC}	VDEC	Power supply for core logic, derived from DV _{DD} by on-chip regulator
V _{BIAS}	VBIAS	Internal analogue reference level, derived from AV _{DD}
AV _{SS}	AVSS	Ground for all analogue circuits
DV _{SS}	DVSS	Ground for all digital circuits

4 External Components

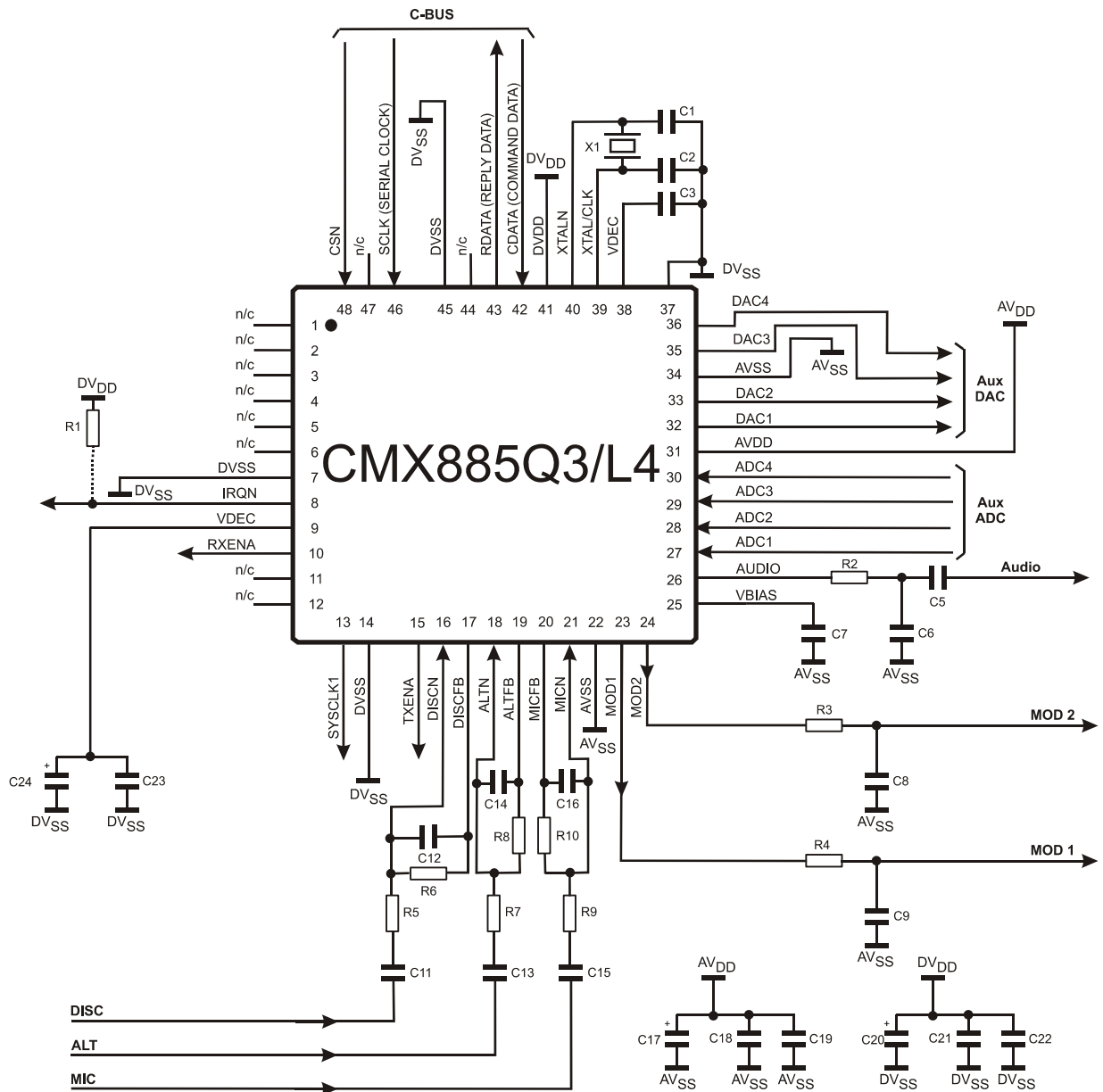


Figure 2 Recommended External Components

R1	100kΩ	C1	18pF	C11	See note 5	C21	10nF
R2	100kΩ	C2	18pF	C12	180pF	C22	10nF
R3	100kΩ	C3	10nF	C13	See note 5	C23	10nF
R4	100kΩ	C4	not used	C14	180pF	C24	10μF
R5	See note 2	C5	1nF	C15	See note 5		
R6	100kΩ	C6	100pF	C16	180pF		
R7	See note 3	C7	100nF	C17	10μF		
R8	100kΩ	C8	100pF	C18	10nF	X1	3.6864MHz
R9	See note 4	C9	100pF	C19	10nF		See note 1
R10	100kΩ	C10	not used	C20	10μF		

Resistors ±5%, capacitors and inductors ±20% unless otherwise stated.

Notes:

1. X1 can be a crystal or an external clock generator; this will depend on the application. The tracks between the crystal and the device pins should be as short as possible to achieve maximum stability and best start up performance. By default, a 3.6864MHz clock is selected, other values could be used if the various internal clock dividers are set to appropriate values.

2. R5 should be selected to provide the desired dc gain (assuming C11 is not present) of the DISCN input, as follows:

$$|GAIN_{DISCN}| = 100k\Omega / R5$$

The gain should be such that the resultant output at the DISCFB pin is within the input signal range specified in 7.13.2.

3. R7 should be selected to provide the desired dc gain (assuming C13 is not present) of the ALTN input as follows:

$$|GAIN_{ALTN}| = 100k\Omega / R7$$

The gain should be such that the resultant output at the ALTFB pin is within the input signal range specified in 7.13.

4. R9 should be selected to provide the desired dc gain (assuming C15 is not present) of the MICN input as follows:

$$|GAIN_{MICN}| = 100k\Omega / R9$$

The gain should be such that the resultant output at the MICFB pin is within the input signal range specified in 7.13.1. For optimum performance with low signal microphones, an additional external gain stage may be required.

5. C11, C13 and C15 should be selected to maintain the lower frequency roll-off of the MICN, ALTN and DISCN inputs as follows:

$$C11 \geq 100nF \times |GAIN_{DISCN}|$$

$$C13 \geq 100nF \times |GAIN_{ALTN}|$$

$$C15 \geq 30nF \times |GAIN_{MICN}|$$

6. ALTN and ALTFB connections allow the user to have an additional signal input. Component connections and values are as for the respective DISCN and MICN networks. If this input is not required, the ALTN pin should be connected to AVss.
7. C5 (AUDIO output) should be increased to 1.0 μ F if frequencies below 300Hz need to be used on this pin.
8. A single 10 μ F electrolytic capacitor (C24, fitted as shown) may be used for smoothing the power supply to both VDEC pins, providing they are connected together on the pcb with an adequate width power supply trace. Alternatively, separate smoothing capacitors should be connected to each VDEC pin. High frequency decoupling capacitors (C3 and C23) must always be fitted as close as possible to both VDEC pins.

5 PCB Layout Guidelines and Power Supply Decoupling

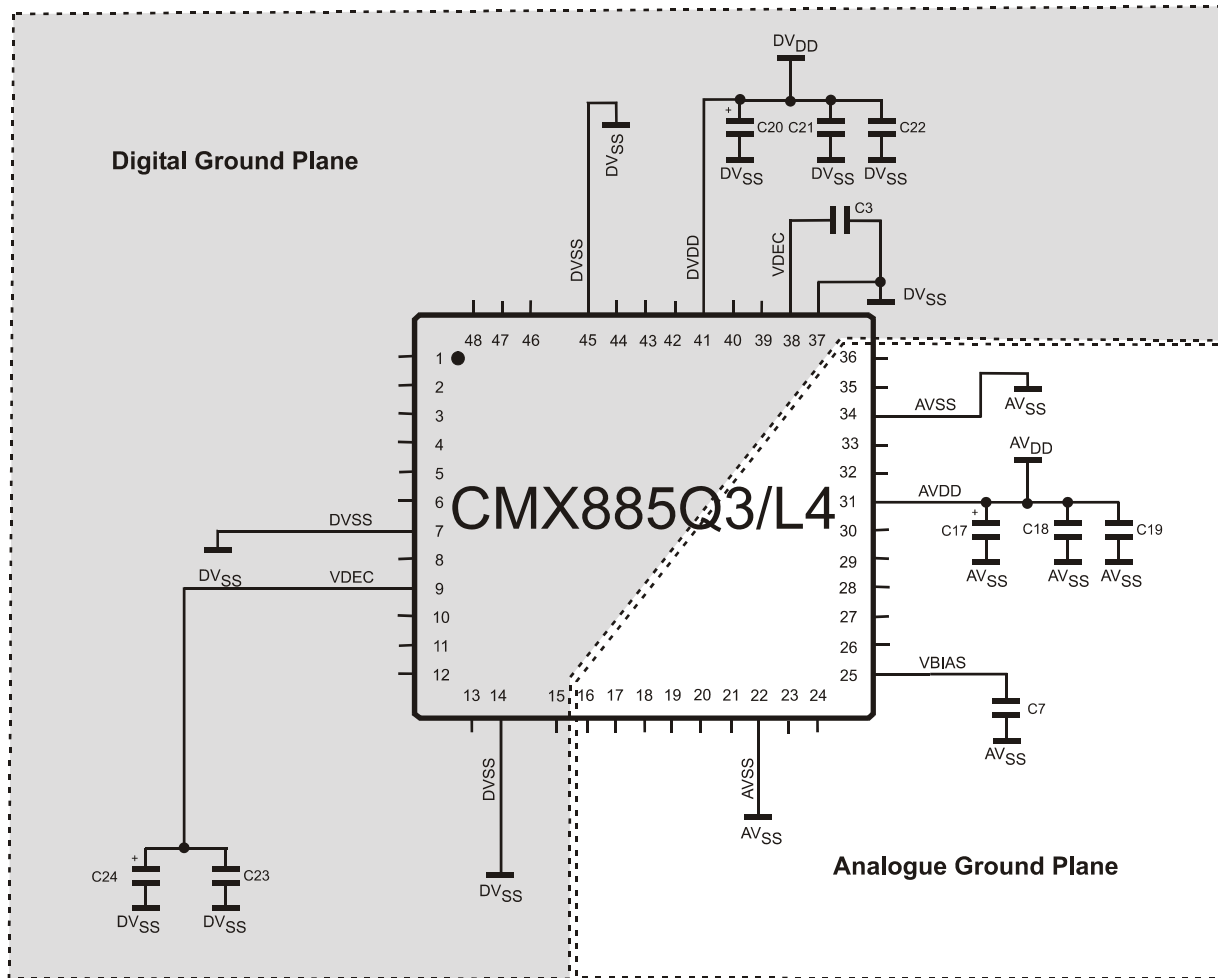


Figure 3 Power Supply and De-coupling

Component Values as per Figure 2.

Notes:

It is important to protect the analogue pins from extraneous inband noise and to minimise the impedance between the device and the supply and bias de-coupling capacitors. The de-coupling capacitors C3, C7, C18, C19, C21, C22, C24 and C25 should be as close as possible to the device. It is therefore recommended that the printed circuit board is laid out with separate ground planes for the AV_{SS} and DV_{SS} supplies in the area of the CMX885, with provision to make links between them, close to the device. Use of a multi-layer printed circuit board will facilitate the provision of ground planes on separate layers.

V_{BIAS} is used as an internal reference for detecting and generating the various analogue signals. It must be carefully decoupled, to ensure its integrity, so apart from the decoupling capacitor shown, no other loads should be connected. If V_{BIAS} needs to be used to set the discriminator mid-point reference, it must be buffered with a high input impedance buffer.

The single-ended microphone input and audio output must be ac coupled (as shown), so that their return paths can be connected to AV_{SS} without introducing dc offsets. Further buffering of the audio output is advised.

The crystal X1 may be replaced with an external clock source.

6 General Description

The CMX885 is intended for use in half duplex analogue two-way mobile radio equipment and is particularly suited to the Marine VHF band. The CMX885 provides signal filtering, encoder and decoder functions for audio, inband tones, DTMF, NWR and DSC/ATIS, permitting simple to sophisticated levels of tone control and data transfer. A flexible power control facility allows the device to be placed in its optimum powersave mode when not actively processing signals.

The CMX885 includes a crystal clock generator, with a buffered output, to provide a common system clock if required. A block diagram of the CMX885 is shown in Figure 1.

The signal processing blocks can be individually assigned to either of two signal processing paths, which in turn, can be routed from any of the three audio/discriminator input pins. This allows for a very flexible routing architecture and allows the facility for different processing blocks to act on different analogue inputs.

For Marine use, it would be typical to route Rx Audio from the working channel receiver through from the DISCN input, while at the same time routing the DSC/ATIS FSK modem from the DSC channel 70 receiver from the ALTN input.

Tx Functions:

- Single/dual microphone inputs with input amplifier and programmable gain adjustment
- Filtering selectable for 12.5kHz and 25kHz channels
- Selectable pre-emphasis
- Selectable frequency inversion voice scrambling
- Selectable audio processing order
- Two-point modulation outputs with programmable level adjustment
- Programmable audio tone generator (for custom audio tones)
- Programmable DTMF generator
- Tx Enable output
- 1200bps FSK modem for DSC/ATIS use (to ITU-R M.493-11)

Rx Functions:

- Single/dual demodulator inputs with input amplifier and programmable gain adjustment
- Audio-band and sub-audio rejection filtering
- Selectable de-emphasis
- Selectable frequency inversion voice de-scrambling
- Selectable audio processing order
- Software volume control
- DTMF decoder
- Rx Enable output
- 1200bps FSK modem for DSC/ATIS use (to ITU-R M.493-11)
- NWR SAME and WAT detector

Auxiliary Functions:

- 2 programmable system clock outputs
- 2 auxiliary ADCs with selectable input paths
- 4 auxiliary DACs, one with built-in programmable RAMDAC

Interface:

- C-BUS, 4 wire high speed synchronous serial command/data bus
- Open drain IRQ to host

7 Detailed Descriptions

7.1 Device Ident Code

Following a Power-on or Reset (see section 8.1.1), the device will report the Device Ident Code in the Tone Status register (\$CC) to indicate that it is operational.

7.2 Xtal Frequency

The CMX885 is designed to work with a Xtal of 3.6864MHz. If this default configuration is not used, then Program Block 3 (see section 8.2.4) should be loaded with the correct values to ensure that the device will work to specification with the user specified clock frequency. A table of common values can be found in Table 2. Note the maximum Xtal frequency is 12.288MHz, although an external clock source of up to 24.576MHz can be used.

The register values in Table 1 are shown in hex (however only the lower 10 bits are relevant), the default settings are shown in bold, and the settings which do not give an exact setting (but are within acceptable limits) are in italics. The new P3.2-3 settings take effect following the write to P3.3 (the settings in P3.4-7 are implemented on a change to Rx or Tx mode).

Table 2 Xtal/clock Frequency Settings for Program Block 3

Program Block			External Frequency Source (MHz)							
			3.6864	6.144	9.216	12.0	12.8	16.368	16.8	19.2
P3.2	Idle	GP Timer	\$01C	\$018	\$018	\$019	\$019	<i>\$018</i>	\$019	\$018
P3.3		VCO output and AUX clk divide	\$084	\$088	\$08C	<i>\$10F</i>	<i>\$110</i>	<i>\$095</i>	<i>\$115</i>	\$099
P3.4	Rx or Tx	Ref clk divide	\$030	\$040	\$060	\$07D	\$0C8	\$155	\$15E	\$0C8
P3.5		PLL clk divide	\$280	\$200	\$200	\$200	\$300	\$400	\$400	\$200
P3.6		VCO output and AUX clk divide	\$13C	\$140	\$140	\$140	\$140	\$140	\$140	\$140
P3.7		Internal ADC / DAC clk divide	\$008	\$008	\$008	\$008	\$008	\$008	\$008	\$008

7.3 Host Interface

A serial data interface (C-BUS) is used for command, status and data transfers between the CMX885 and the host μ C; this interface is compatible with Microwire and SPI. Interrupt signals notify the host μ C when a change in status has occurred and the μ C should read the status register across the C-BUS and respond accordingly. Interrupts only occur if the appropriate mask bit has been set. See section 7.14.1.

The CMX885 will monitor the state of the C-BUS registers that the host has written to every 250 μ s (the C-BUS latency period) hence it is not advisable for the host to make successive writes to the same C-BUS register within this period.

To minimise activity on the C-BUS interface, optimise response times and ensure reliable data transfers, it is advised that the IRQ facility be utilised (using the IRQ mask register, \$CE). It is permissible for the host to poll the IRQ pin if the host μ C does not support a fully interrupt-driven architecture. This removes the need to continually poll the C-BUS status register (\$C6) for status changes.

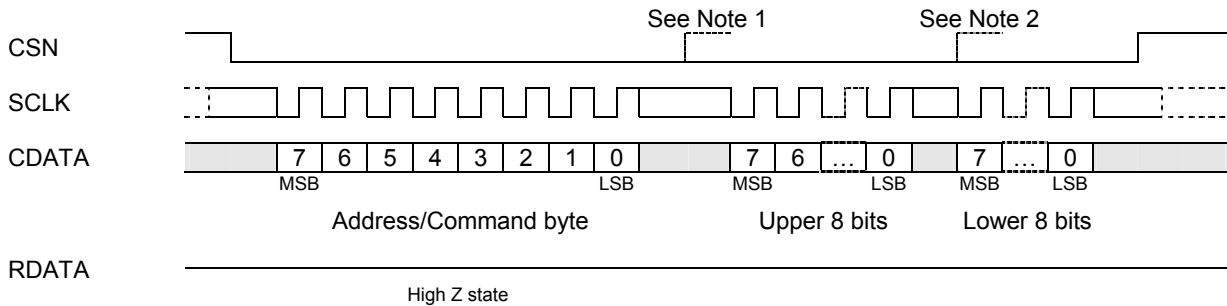
The C-BUS block provides for the transfer of data and control or status information between the CMX885's internal registers and the host μ C over the C-BUS serial interface. Each transaction consists of a single Address byte sent from the μ C which may be followed by one or more Data byte(s) sent from the μ C to be written into one of the CMX885's Write Only Registers, or one or more data byte(s) read out from one of the CMX885's Read Only Registers, as illustrated in Figure 4.

Data sent from the μ C on the CDATA line is clocked into the CMX885 on the rising edge of the SCLK input. RDATA sent from the CMX885 to the μ C is valid when SCLK is high. The CSN line must be held

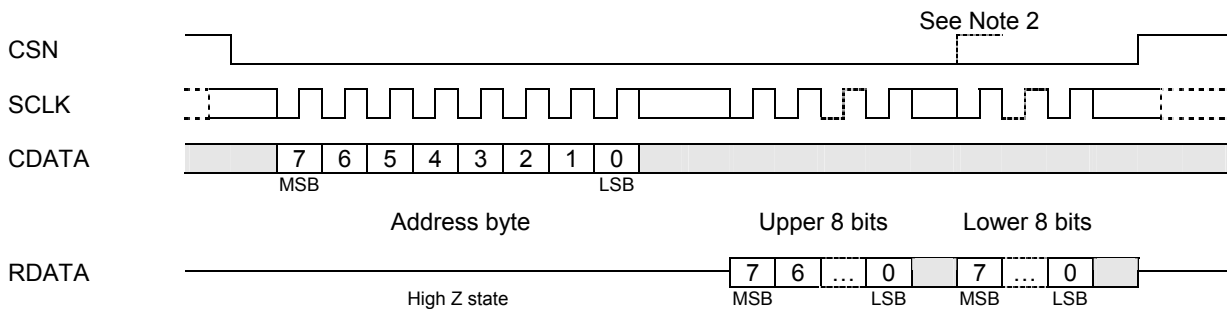
low during a data transfer and kept high between transfers. The C-BUS interface is compatible with most common μC serial interfaces and may also be easily implemented with general purpose μC I/O pins controlled by a simple software routine.

The number of data bytes following an Address byte is dependent on the value of the Address byte. The most significant bits of the address or data are sent first. For detailed timings see section 9.2. Note that, due to internal timing constraints, there may be a delay of up to $250\mu\text{s}$ between the end of a C-BUS write operation and the device reading the data from its internal register. Ensure that this C-BUS latency time (up to $250\mu\text{s}$) is observed when writing multiple commands to the same C-BUS register.

C-BUS Write:



C-BUS Read:





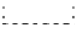

-  Data value unimportant
-  Repeated cycles
-  Either logic level valid (and may change)
-  Either logic level valid (but must not change from low to high)

Figure 4 C-BUS Transactions

Notes:

1. For Command byte transfers only the first 8 bits are transferred (\$01 = Reset).
2. For single byte data transfers only the first 8 bits of the data are transferred.
3. The CDATA and RDATA lines are never active at the same time. The Address byte determines the data direction for each C-BUS transfer.
4. The SCLK input can be high or low at the start and end of each C-BUS transaction.
5. The gaps shown between each byte on the CDATA and RDATA lines in the above diagram are optional, the host may insert gaps or concatenate the data as required.

7.4 Device Control

The CMX885 can be set into many modes to suit the environment in which it is to be used. These modes are described in the following sections and are programmed over the C-BUS: either directly to operational registers or, for parameters that are not likely to change during operation, via the Programming register (\$C8).

For basic operation:

1. Enable the relevant hardware sections via the Power Down Control register
2. Set the appropriate mode registers to the desired state (Audio, Inband, Data, etc.)
3. Select the required Signal Routing and Gain
4. Use the Mode Control register to place the device into Rx or Tx mode

To conserve power when the device is not actively processing an analogue signal, place the device into Idle mode. Additional powersaving can be achieved by disabling the unused hardware blocks, however, care must be taken not to disturb any sections that are automatically controlled.

See:

- Powerdown Control – \$C0 write
- Mode Control – \$C1 write

7.4.1 Signal Routing

The CMX885 offers a very flexible routing architecture, with three signal inputs, two separate signal processing paths and two modulator outputs (to suit 2-point modulation schemes) and a single audio output. Each of the signalling processing blocks can be independently routed from either of the Input blocks, which can be routed from any of the three input signal pins. The audio/voice processing blocks are always routed from Input 1. The outputs from signal processing blocks are determined by the settings of the AuxADC and Tx MOD mode register in Tx mode.

See:

- Input Gain and Output Signal Routing – \$B1 write
- AuxADC and Tx MOD Mode – \$A7 write
- Mode Control – \$C1 write

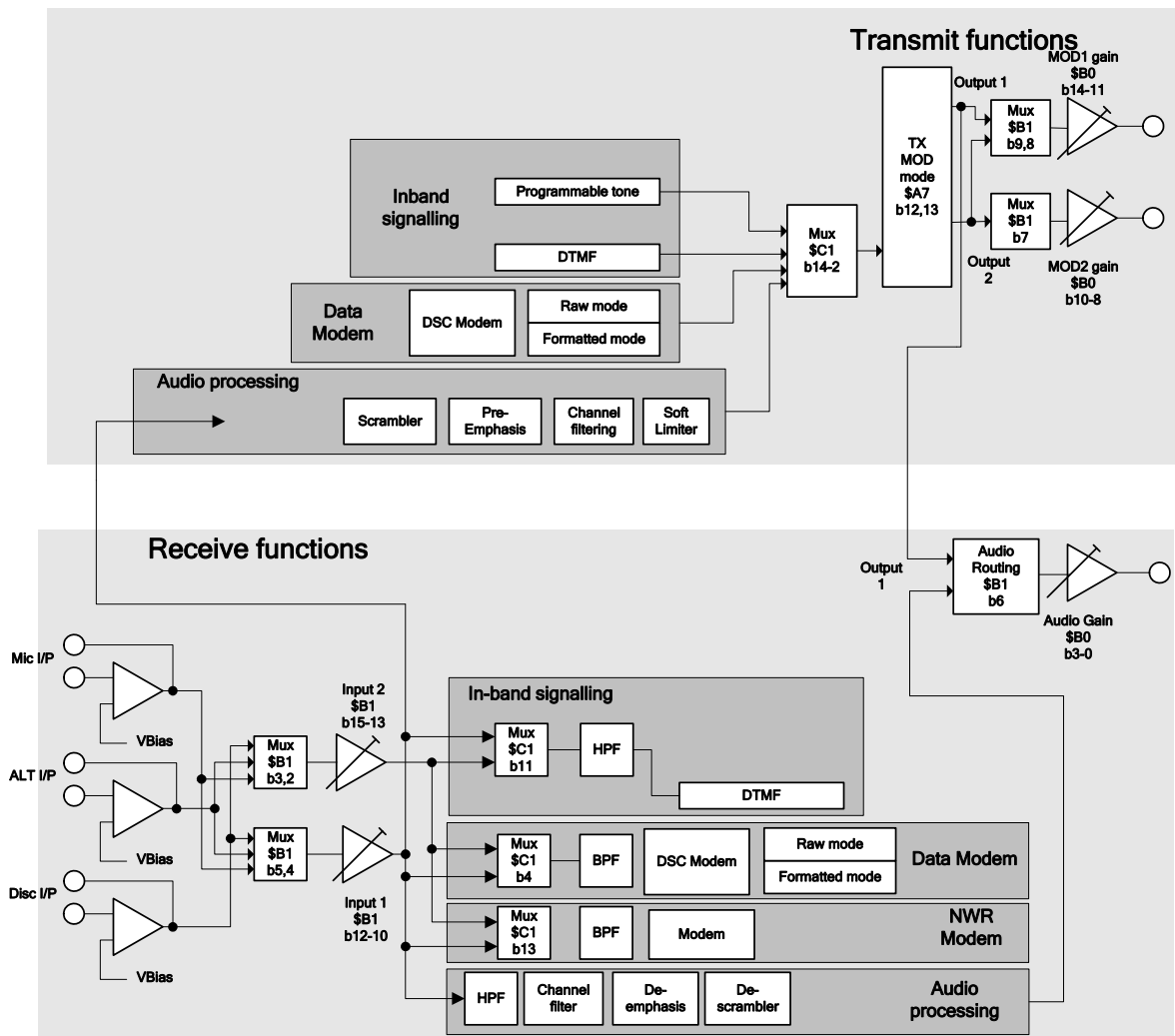


Figure 5 Signal Routing

The analogue gain/attenuation of each input and output can be set individually, with additional fine gain control available via the Programming register.

See:

- Analogue Output Gain – \$B0 write
- Input Gain and Output Signal Routing – \$B1 write

7.4.2 Mode Control

The CMX885 operates in one of three modes:

- Idle
- Rx
- Tx

At power-on or following a Reset, the device will automatically enter Idle mode, which allows for the maximum powersaving whilst still retaining the capability of monitoring the four ADC inputs (if enabled). It is only possible to write to the Programming register whilst in Idle mode.

See:

- Mode Control – \$C1 write

7.5 Audio Functions

The audio signal can be processed in several ways, depending on the implementation required, by selecting the relevant bits in the Audio Control – \$C2 write register. In both Rx and Tx modes, a selectable channel filter to suit either the 12.5kHz or 25kHz TIA/ETSI channel mask can be selected. This filter also incorporates a soft limiter to reduce the effects of over-modulation. Other features include pre- and de-emphasis, 300Hz HPF and frequency inversion scrambling, all of which may be individually enabled¹. The order in which these features are executed is selectable to ensure compatibility with existing implementations and provide optimal performance (see section 8.2.5).

7.5.1 Audio Receive Mode

The CMX885 operates in half duplex, so whilst in receive mode the transmit path (microphone input and modulator output amplifiers) can be disabled and powered down if required. The AUDIO output signal level is equalised (to V_{BIAS}) before switching between the audio port and the modulator ports, to minimise unwanted audible transients. The Off/Powersave level of the modulator outputs is the same as the VBIAS pin, so the audio output level must also be at this level before switching.

See:

- Audio Control – \$C2 write

Receiving Audio Band Signals

When a voice-based signal is being received, it is up to the host μC , in response to signal status information provided by the CMX885, to control muting/enabling of the audio signal to the AUDIO output.

The discriminator path through the device has a programmable gain stage. Whilst in receive mode this should normally be set to 0dB (the default) gain.

Receive Filtering

The incoming signal is filtered, as shown in Figure 6 (with the 300Hz HPF also active), to remove sub-audio components and to minimise high frequency noise. When appropriate, the audio signal can then be routed to the AUDIO output. Separate selectable filters are available for:

- 300Hz High Pass
- 2.55kHz Low Pass (for 12.5kHz channel operation)
- 3.0kHz Low Pass (for 25kHz channel operation)

Note that with no filters selected, the low frequency response extends to below 5Hz at the low end but still rolls off above 3.3kHz at the top end. In Figure 6 and Figure 7, the template shows the +1 and -3dB limits.

¹ The typical responses shown in Figure 6, Figure 7, Figure 8, Figure 9 were recorded using the PE0201 Evkit, DISC to AUDIO and MOD1 out.

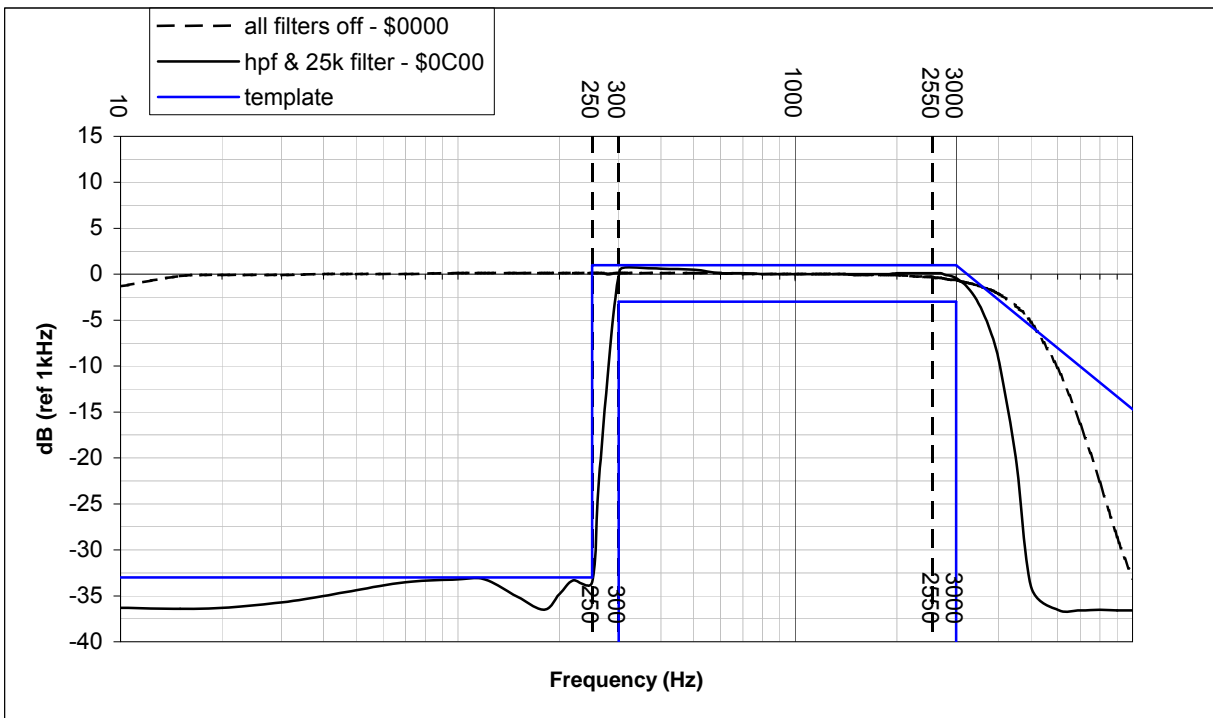


Figure 6 Rx 25kHz Channel Audio Filter Frequency Response

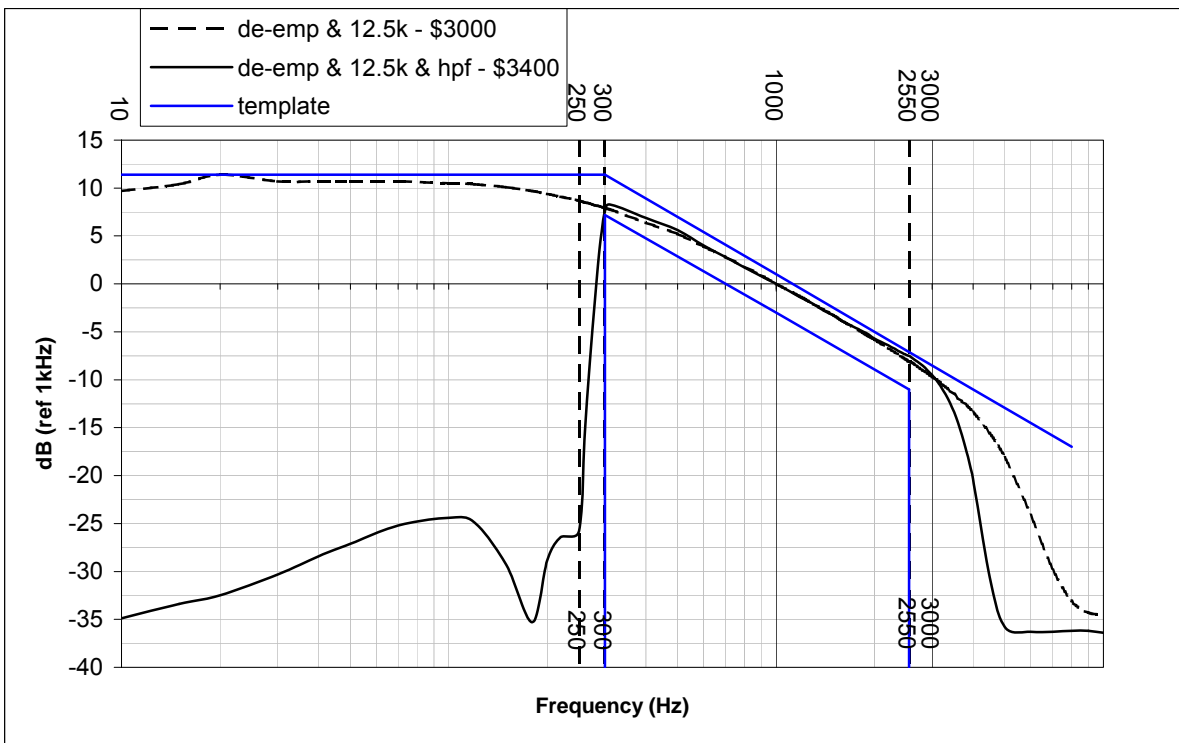


Figure 7 De-emphasis Curve for TIA/EIA-603 Compliance

De-emphasis

Optional de-emphasis at -6dB per octave from 300Hz to 3000Hz (shown in Figure 7) can be selected, to facilitate compliance with TIA/EIA-603, EN 300 086, EN 301 025.

Audio De-scrambling

The CMX885 incorporates an optional frequency inversion de-scrambler in receive mode. This de-scrambles received audio band signals that have been scrambled in the transmitter. The inversion frequency defaults to 3300Hz, but may be modified by writing to P4.8.

See:

- Audio Control – \$C2 write

7.5.2 Audio Transmit Mode

The device operates in half duplex, so when in transmit mode the receive path (discriminator and audio output amplifiers) should be disabled, and can be powered down, by the host μ C.

Two modulator outputs with independently programmable gains are provided to facilitate single or two-point modulation. If one of the modulator outputs is not used it can be disabled to conserve power.

To avoid spurious transmissions when changing from Rx to Tx, the MOD1 and MOD2 outputs are ramped to the quiescent modulator output level, V_{BIAS} before switching (if enabled by b7 of the Analogue Gain register, \$B0). Similarly, when starting a transmission, the transmitted signal is ramped up from the quiescent V_{BIAS} level and when ending a transmission the transmitted signal is ramped down to the quiescent V_{BIAS} level. The ramp rates are set in the Program Block P4.6. When the modulator outputs are disabled, their outputs will be set to V_{BIAS} . When the modulator output drivers are powered down, their outputs will be floating (high impedance), so the RF modulator will need to be turned off.

For all transmissions, the host μ C must only enable signals after the appropriate data and settings for those signals are loaded into the C-BUS registers. As soon as any signalling is enabled the CMX885 will use the settings to control the way information is transmitted.

A programmable gain stage in the microphone input path facilitates a host controlled VOGAD capability, or an internal AGC function may be used.

See:

- Audio Control – \$C2 write
- AuxADC and Tx MOD Mode – \$A7 write
- Input Gain and Output Signal Routing – \$B1 write

Processing Audio Signals for Transmission over Analogue Channels

The microphone input(s), with programmable gain, can be selected as the audio input source. Pre-emphasis is selectable with either of the two analogue Tx audio filters (for 12.5kHz and 25kHz channel spacing). These are designed for use in EN 300 086, TIA/EIA-603 or EN 301 025 compliant applications. When the 300Hz HPF is enabled, it will attenuate frequencies below 250Hz by more than 33dB with respect to the signal level at 1kHz. In Figure 8, Figure 9 and Figure 10, the template shows the +1 and -3dB limits.

These filters, together with a built in limiter, help ensure compliance with EN 300 086 and EN 301 025 (25kHz and 12.5kHz channel spacing) when levels and gain settings are set up correctly in the target system.

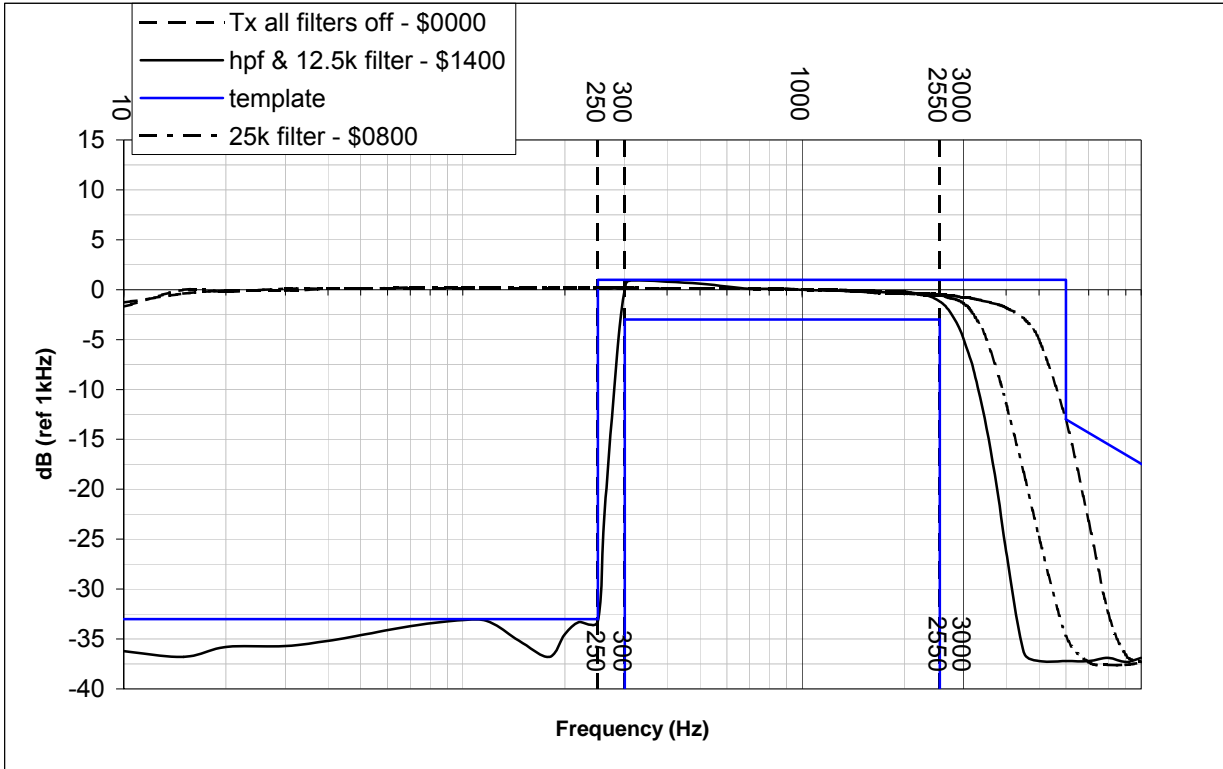


Figure 8 Tx Channel Audio Filter Response and Template (ETSI)

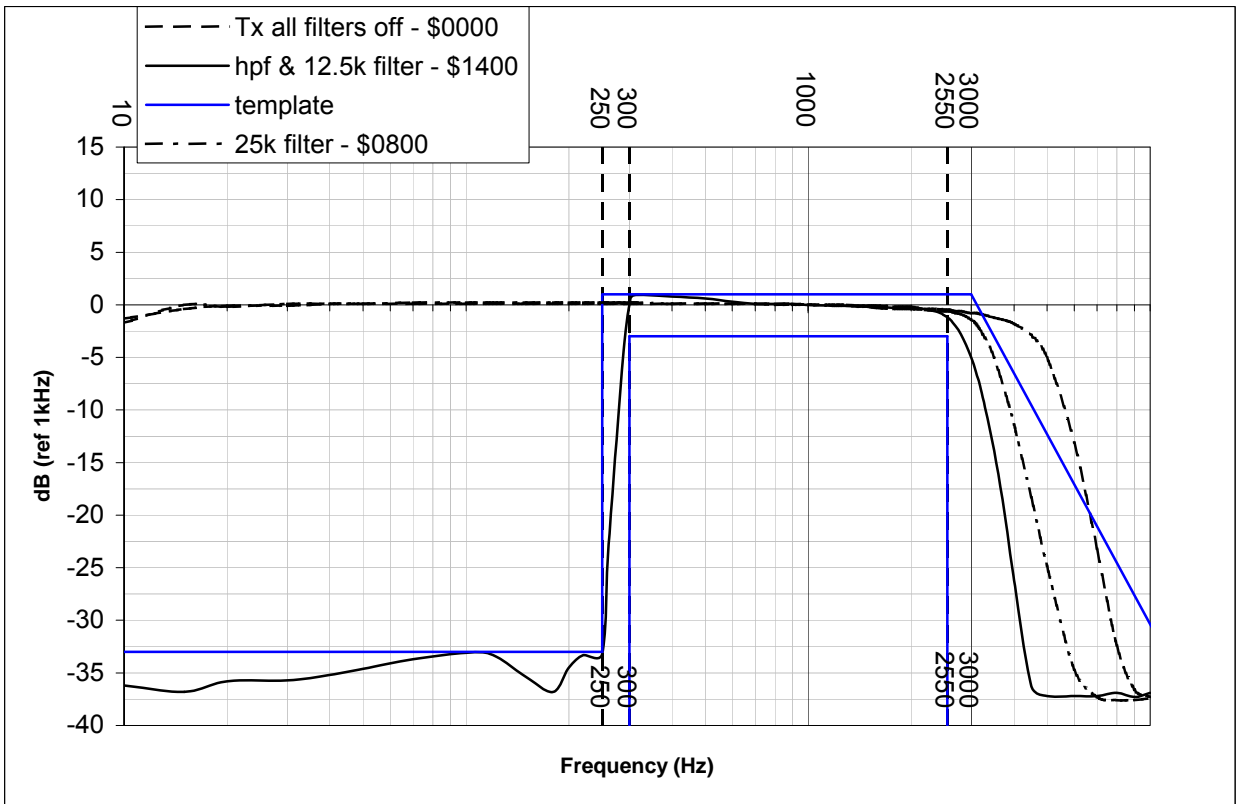


Figure 9 Tx Channel Audio Filter Response and Template (TIA)

The characteristics of the 12.5kHz channel filter fit the template shown in Figure 8 and Figure 9. This filter also facilitates implementation of systems compliant with TIA/EIA-603 'A', 'B' and 'C' bands .

The CMX885 provides selectable pre-emphasis filtering of +6dB per octave from 300Hz to 3000Hz, matching the template shown in Figure 10.

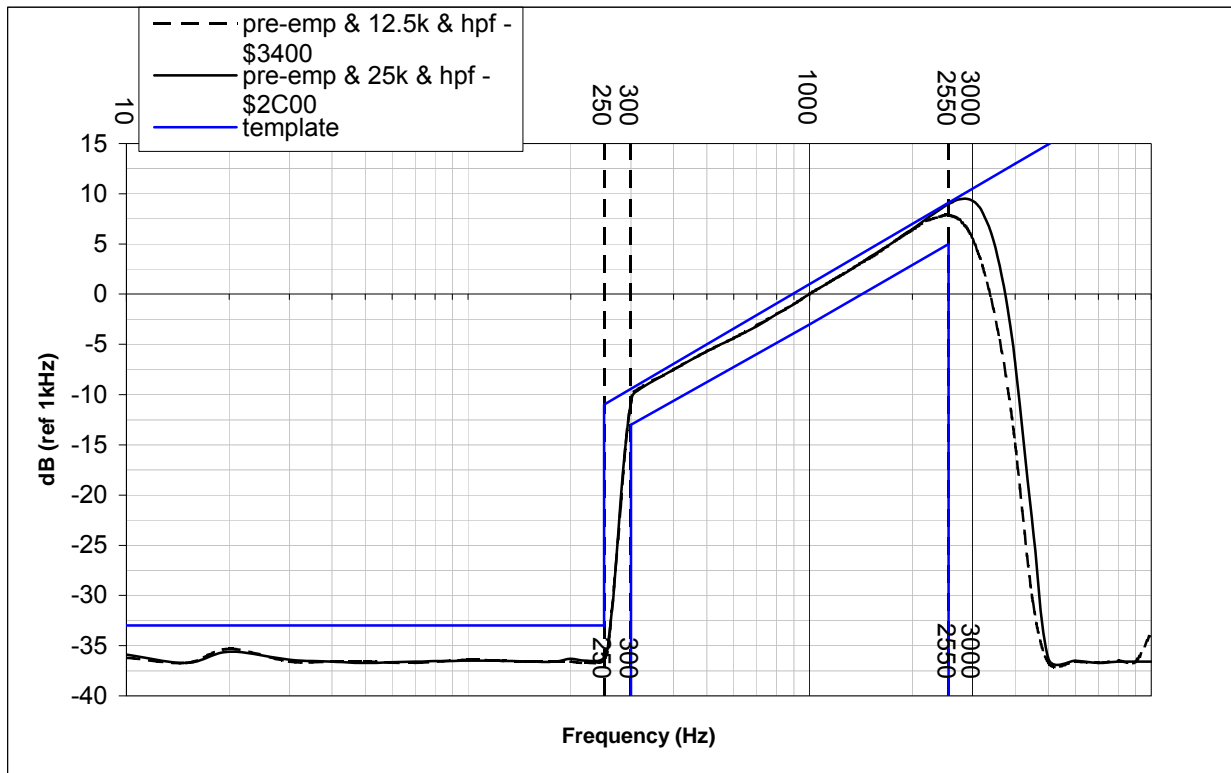


Figure 10 Audio Frequency Pre-emphasis

Modulator Output Routing

The Tx signal can be routed to both MOD1 and MOD2 outputs in accordance with the settings of:

- AuxADC and Tx MOD Mode – \$A7 write
- Input Gain and Output Signal Routing – \$B1 write

Input AGC

An Automatic Gain Control system can be enabled by setting the relevant bits of the Program Block P4.9. The setting of the Input 1 Gain stage is recorded when the device enters Tx mode and if the signal exceeds the pre-set threshold, the Input 1 Gain is automatically reduced in 3.2dB steps until it falls within the operational levels or the range of the gain stage is exhausted. When the signal level drops, the gain will be automatically increased in 3.2dB steps at the rate set in P4.9 until the initial value has been reached. For maximum effect the system should be designed such that the +22.4dB setting of the Input 1 Gain stage achieves the nominal levels. To ensure consistent operation, it is recommended that the Input 1 Gain stage value be re-initialised before entering Tx mode. The signal that is used as an input to this process can be selected to be either the:

- Output of Input1 Gain Stage
- Output of the Pre-emphasis Filter

by selecting the relevant bit in P4.9. The pre-emphasis option should only be chosen if this block is actually in use.

- Input Gain and Output Signal Routing – \$B1 write
- Program Block 4 – Gain and Offset Setup

Audio Scrambling

The CMX885 incorporates an optional frequency inversion scrambler in transmit mode. This scrambles audio band signals, to be de-scrambled in the receiver. The inversion frequency defaults to 3300Hz, but maybe modified by writing to P4.8.

See:

- Audio Control – \$C2 write

7.6 Inband Signalling

The CMX885 supports DCS, NWR (Rx only) and DTMF signalling and a user-programmable audio tone generator (288Hz to 3000Hz). Note that if tones below 400Hz are used, the 300Hz HPF should be disabled.

Selection of the Inband signalling mode is performed by bits 11-8 of the Mode register (\$C1). Detection of the selected Inband signalling mode can be performed in parallel with voice or data reception.

See:

- Mode Control – \$C1 write
- Tx Inband Tones – \$C3 write
- Tone Status – \$CC read
- Audio Tone – \$CD write

7.6.1 Receiving DTMF Tones

DTMF Tone detection may be enabled in the Mode register (\$C1) in parallel with other inband tone modes (however, this is not recommended due to the increased likelihood of false detects). When a DTMF tone has been detected, b10 of the Tone Status register (\$CC) and b12 of the IRQ Status register, \$C6, will be set. This value will overwrite any existing inband tone value that may be present. The DTMF detector returns the values shown below in Table 3.

7.6.2 Transmitting DTMF Tones

The DTMF signals to be generated are defined in the TxTONE register (\$C3). Single tones and twist (lower frequency tone reduced by 2dB) can be enabled by setting the appropriate bit in the \$C3 register to 1. The DTMF level is set in Program Block P1.0. The DTMF tones must be transmitted on their own, the host μ C must disable audio band signals prior to initiating transmission of the DTMF tones and (if required) restore the audio band signals after the DTMF transmission is complete. Table 3 shows the DTMF tone pairs, together with the values for programming the 'Tone Pair' field of the TxTONE register.

Table 3 DTMF Tone Pairs

Tone Code (Hex)	Key Pad Position	Low Tone (Hz)	High Tone (Hz)
1	1	<u>697</u>	1209
2	2	<u>697</u>	1336
3	3	<u>697</u>	1477
4	4	<u>770</u>	1209
5	5	<u>770</u>	1336
6	6	<u>770</u>	1477
7	7	<u>852</u>	1209
8	8	852	<u>1336</u>
9	9	852	<u>1477</u>
A	0	941	<u>1336</u>
B	*	941	<u>1209</u>
C	#	941	<u>1477</u>
D	A	697	<u>1633</u>
E	B	770	<u>1633</u>
F	C	852	<u>1633</u>
0	D	<u>941</u>	1633

Note: Only the underlined tone is generated when the 'Single Tone' bit is enabled.

7.7 DSC modem - (FSK 1200bps)

The device can implement a 1200 bps DSC (Digital Selective Call) modem conforming to the requirements of ITU-R M.493-11 for use in Marine VHF band radio equipment. This modem uses tones at 1300Hz and 2100Hz to represent binary 1's and 0's respectively, with 6dB/octave pre-emphasis in Tx.

See:

- o Mode Control – \$C1 write
- o Modem Configuration – \$C7 write
- o Rx Data 1 – \$C5
- o Tx Data 1 – \$CA write

Dot Pattern	DX/RX	A	B	C	D	E	F	G	H	I
	Phasing Sequence	Format Specifier	Called Party Address	Category	Self-identification	Tele-command Message	Frequency Message	Frequency Message	End of Sequence	Error-check Character
	2 Identical characters	5 characters	1 character	5 characters	2 characters	3 characters	3 characters	3 identical DX characters 1 RX character	1 character	

Dot pattern	D	X	D	X	D	X	D	X	D	X	A	A	B	I	B	2	B	3	R	4	B	5	C	D	I	D	2	D	3	D	4	D	5	E	I	E	2	F	I	F	2	F	3	G	I	G	2	G	3	H	I	I	H	H	I	
	R	X	R	X	R	X	R	X	R	X	R	X	R	X	A	A	B	1	B	2	B	3	B	4	B	5	C	D	1	D	2	D	3	D	4	D	5	E	I	E	2	F	I	F	2	F	3	G	I	G	2	G	3	H	I	H

Figure 11 DSC format

To enable this mode, the En_DSC bit of the Modem Configuration register \$C7:b11 must be set. The DSC modem itself can then be controlled by setting or clearing the Modem Enable bit \$C1:b2, after

selecting the appropriate source with \$C1:b4. Note that, due to the C-BUS latency times, there should be a delay after clearing this bit, before re-enabling it again.

With DSC mode selected \$C7:b8 to b3 and \$C7:b1 to b0 are ignored.

Two modes of operation are provided:

- Raw Mode
- Formatted Mode

Symbol No.	Emitted signal and bit position 12345678910	Symbol No.	Emitted signal and bit position 12345678910	Symbol No.	Emitted signal and bit position 12345678910
00	BBBBBBYY	43	YYBYBYBY	86	BYBYBYBY
01	YBBBBBY	44	BBYYBYBY	87	YYYBYBY
02	BYBBBBY	45	YBYBYBY	88	BBYYBYB
03	YYBBBBY	46	BYBYBY	89	YBBYYBY
04	BBYBBBY	47	YYYYBYBY	90	BYYYBYB
05	YBYBBBY	48	BBBBYBY	91	YYBYBY
06	BYYBBBY	49	YBBYBY	92	BBYYBY
07	YYYBBBY	50	BYBBYBY	93	YBYBYBY
08	BBYBBBY	51	YYBBYBY	94	BYYYBY
09	YBBYBBY	52	BBYBYBY	95	YYYYBY
10	BYBYBBY	53	YBYBYBY	96	BBBBYY
11	YYBYBBY	54	BYBYBY	97	YBBBBYY
12	BBYBBBY	55	YYYBYBY	98	BYBBBBY
13	YBYBBBY	56	BBYYBY	99	YBBYYBY
14	BYYBBBY	57	YBBYYBY	100	BBYBBY
15	YYYBBBY	58	BYYYBY	101	YBYBBY
16	BBBYBBY	59	YBYBYBY	102	BYBBYBY
17	YBBYBBY	60	BBYYBY	103	YYYBYBY
18	BYBYBBY	61	YBYBYBY	104	BBYBYBY
19	YYBYBBY	62	YYYYBY	105	YBBYBY
20	BBYBBBY	63	YYYYBBY	106	BYBYBY
21	YBYBBBY	64	BBBBBY	107	YYBYBY
22	BYYBBBY	65	YBBBBBY	108	BBYBYBY
23	YYYBBBY	66	BYBBBBY	109	YBYBYBY
24	BBYBBBY	67	YBBBBBY	110	BYBYBY
25	YBYBBBY	68	BBYBBBY	111	YYYBYBY
26	BYBYBBY	69	YBYBBBY	112	BBBBYY
27	YYBYBBY	70	BYBBBY	113	YBBYYBY
28	BBYYBBY	71	YYYBBBY	114	BYBBYY
29	YBYBBBY	72	BBYBBBY	115	YYBBYY
30	YYYBBBY	73	YBBYBBY	116	BBYBYBY
31	YYYBBBY	74	BYBYBBY	117	YBYBYBY
32	BBBBBY	75	YYBYBBY	118	BYBYBY
33	YBBBBBY	76	BBYYBBY	119	YYYBYBY
34	BYBBBY	77	YBYBBY	120	BBYYBY
35	YBBBBBY	78	BYYYBBY	121	YBBYYBY
36	BBYBBBY	79	YYYYBBY	122	BYYYBY
37	YBYBBBY	80	BBBBBY	123	YYBYBY
38	BYYBBBY	81	YBBYBY	124	BBYYBY
39	YYYBBBY	82	BYBBBY	125	BYYYBY
40	BBBYBY	83	YBBYBY	126	BYYYBY
41	YBBYBY	84	BBYBY	127	YYYYBY
42	BYBYBY	85	YBYBY		

B = 0

Y = 1

Order of transmitted bits: bit 1 first

Figure 12 DSC character format

7.7.1 Receiving DSC Signals

The received signal is filtered and data is extracted with the aid of a PLL to recover the clock from the serial data stream. The recovered data is stored in a 2-byte buffer (grouped into 16-bit words) and an interrupt issued to indicate received data is ready. Data is transferred over the C-BUS under host μ C control. If this data is not read before the next data is decoded it will be overwritten and it is up to the user to ensure that the data is transferred at an adequate rate following data ready being flagged. The DSC bit clock is not output externally.

The extracted data is compared with the 16-bit programmed Frame Sync pattern (preset to \$CB23 following a RESET command). An interrupt will be flagged when the programmed Frame Sync pattern is detected. The host μ C may stop the frame sync search by disabling the DSC demodulator (\$C1:b2 cleared to 0). Once a valid Frame Sync pattern has been detected, the frame sync search algorithm is disabled; it may be re-started by the host disabling the Modem Enable bit of the Mode Control register (\$C1:b2) and then re-enabling it (taking note of the C-BUS latency time).

In Rx Raw mode (En_RAW=1) the modem will report back all data received as soon as it is enabled. (Note: If a valid DSC signal is not present when the modem is first enabled, it will still attempt to demodulate the input signal and output data. The host must determine if the data is valid or not. It is possible to use the SynC facility to reduce the amount of invalid data presented to the host, but this may also lead to DSC calls with errors in the SynC pattern being missed).

As soon as the Modem Enable bit has been asserted, the modem will attempt to demodulate the input signal. Data bits will then be delivered to the Rx Data 1 register, \$C5 as they are demodulated, indicated by the Data_RDY bit. It is up to the host to align, decode and validate the data and to subsequently switch the modem off once an EOS (End of Sequence) has been detected (by clearing \$C1:b2 to 0). In this mode, the device does not perform byte alignment or phasing (synchronisation) detection².

The host must read the RxData 1 register before the next 16 bits of data have been received, otherwise the data will be lost.

If the SynC facility is used in Raw mode, then the value of SynC must be programmed by the host to a suitable value via the Program Blocks, P0.0 and P0.1. The values \$5555 or \$AAAA are suggested for this setting, however, this will not completely remove false detections and the following received data must be analysed before assuming that a valid call is in progress (see ITU-R M.493-11 for details). The SynC enable bit \$C7:b15 must be asserted. Setting the Modem Enable bit \$C1:b2 will activate the DSC modem, which will then attempt to decode the signal at its input. Acquisition of the SynC data pattern will be reported to the host by the setting of the DSC bit \$C6:b3.

In Rx Formatted mode, (En_Raw=0) the modem will check the incoming bit stream for a valid sequence of phasing characters (3x Rx, 2x Dx+ Rx or Dx + 2 x Rx) and then report any correctly decoded characters in the RxData1 (\$C5) register. The characters are packed into the 16-bit register as two 7-bit characters and an additional error indication bit (bits 15 and 7). In the case where an odd number of characters has been received, the unused field will be reported as 0000000. This mechanism significantly reduces the amount of data transferred to the host and the host processing requirements.

The decoded 7-bit characters will be delivered to the RxData1 register, \$C5, as indicated by the Data_RDY bit. The modem will not report valid data until it has correctly received the initial phasing sequence. Once the Phasing sequence has been detected, the modem's internal DPLL bandwidth will be automatically reduced to improve the error performance. If one of the time-diversity received characters is in error, only the correct one will be reported. If both characters have errors, the last one received will be reported, with bit 7 (MSB) set. The characters reported back will correspond to the data sequence (see Figure 11)³:

A A B1 B2 B3 B4 B5 C D1 D2 D3 D4 D5 E1 E2 F1 F2 F3 G1 G2 G3 H I

Once the H and I fields have been received by the host, it should shut the DSC modem down by clearing the Modem Enable bit in the Mode Control register \$C1:b2.

7.7.2 Transmitting DSC Signals

The DSC encoding operates in accordance with the bit settings in the Modem Configuration register (\$C7). When enabled the modulator will begin transmitting data using the settings and values in Program Block 0 (bit sync and frame sync patterns), the Modem Configuration register and the Tx Data registers. Therefore, these registers should be programmed to the required values before transmission is enabled.

² This is similar to the FX604, CMX910 and CMX7032 operation.

³ This particular sequence corresponds to the example given in ITU-R M493-11. Different Telecommands will produce different sequences of varying lengths.

The CMX885 generates its own internal data clock and converts the binary data into the appropriately phased frequencies. The binary data is taken from Tx DATA 1 register (\$CA), most significant bit first.

In Tx Raw mode (En_RAW=1) the host must supply all data to be transmitted by the modem via the TxData register (\$CA) in the correct order and format to conform to the DSC standards.

Setting the Modem Enable bit \$C1:b2, will enable the DSC modem, which will then transmit the data supplied by the host through the Tx Data 1 register, \$CA. The Modem Configuration register \$C7:b10 should also be set to enable/disable Raw data mode, as appropriate.

In Tx Formatted mode (En_RAW=0), the modem will automatically transmit the dotting pattern followed by the phasing sequence and then encode the data presented at the Tx Data 1 register (\$CA) with the correct checksum bits and then transmit it in the correct position with automatic repetition to conform to the time diversity requirements of the standard. Data in the Tx Data 1 register is presented as two 7-bit characters, in the case where an odd number of characters needs to be sent, then the un-used character should be set to 0000000 and b7 set to 1. The final characters sent by the host should be a valid "End-of-Sequence" character followed by the "Error Check" character.

Valid DSC characters should be supplied by the host through the Tx Data 1 register, \$CA. Two characters can be loaded in the same C-BUS write operation. The modem will begin transmitting the dotting sequence followed by the phasing sequence as soon as the Modem Enable bit \$C1:b2 is set. The format of the data supplied by the host is similar to the Rx format:

A A B1 B2 B3 B4 B5 C D1 D2 D3 D4 D5 E1 E2 F1 F2 F3 G1 G2 G3 H I

There is no facility for automatically generating continuous dotting (preamble), Y data (all 1's), B data (all 0's) or phasing (synchronisation) sequences internally, however, the modem will continue to transmit the last data loaded into the TxData1 register, so only a single data load is required.

7.8 NOAA/NWR SAME and WAT Decoding

A data decoder and tone detector suitable for use with the NOAA's NWR (NOAA Weather Radio) system is provided in the device. Full details of the system are publicly available from the NOAA website at <http://www.nws.noaa.gov/nwr/> and the CMX885 provides support for the WAT detection and SAME decoding. It is possible to route the signal input to either Input 1 or Input 2 so that NWR monitoring can be performed in parallel with existing radio operations (subject to suitable RF sections being provided externally).

See:

- NWR Status and Data – \$BB read
- Mode Control – \$C1 write
- Status – \$C6 read
- Modem Configuration – \$C7 write
- Interrupt Mask – \$CE

The NWR SAME data message consists of six possible elements in the following sequence:

- | | |
|---|-------------------------------------|
| 1 | Preamble |
| 2 | Header Code |
| 3 | Warning Alarm Tone/Attention Signal |
| 4 | Voice Message |
| 5 | Preamble |
| 6 | End Of Message (EOM) |

Elements 1, 2, 5 and 6 will always be transmitted in an NWR SAME message and repeated three times. Elements 3 and 4 may or may not be transmitted depending on the specific type of message or its application.

The coded message is transmitted, using Frequency Shift Keying (FSK), in the NWR audio channel. In this application and the implementation currently used by the FCC EAS, it is more accurate to refer to the code format as Audio Frequency Shift Keying (AFSK). It is transmitted at no less than 80% modulation ($\pm 4.0\text{kHz}$ deviation minimum, $\pm 5.0\text{kHz}$ deviation maximum).

The coded message and voice message is transmitted over the NWR transmitter network using standard pre-emphasis for narrow band VHF Frequency Modulation (FM) of 6dB per octave increasing slope from 300Hz to 3,000Hz applied to the modulator.

Preamble. The preamble and header code are transmitted three times with a one second pause ($\pm 5\%$) between each coded message burst prior to the broadcast of the actual voice message. Then the preamble and End Of Message (EOM) code are transmitted three times with a one second pause ($\pm 5\%$) between each EOM burst.

Preamble Byte. The first 16 bytes (prior to the header code and EOM) of the data transmission constitute a preamble with each byte having the value \$AB (8 bit byte [10101011]). For all bytes, the least significant bit (LSB) is sent first. The bytes following the preamble constitute the actual message data transmission.

NOTE: For NWR system maintenance, NWS will occasionally send a continuous string of preamble code, \$AB or a continuous tone through its communications links to the NWR transmitters, for several seconds up to around one minute.

Bit Definition. The following definitions of a bit are based on a bit period equaling 1920 microseconds (\pm one microsecond).

- The data rate is 520.83 bits per second
- Logic zero is 1562.5 Hz.
- Logic one is 2083.3 Hz
- Mark and space bit periods are equal at 1.92 milliseconds.

Header. Bit and byte synchronization is attained by the preamble code at the beginning of each header code or EOM data transmission. The message data (header) code is transmitted using American Standard Code for Information Interchange (ASCII) characters as defined in ANSI INCITS 4 (rev 86, 2002), with the eighth bit always set to zero. Each separate header code data transmission should not exceed a total of 268 bytes if the maximum allowable geographic locations (31) are included.

Warning Alarm Tone. The Warning Alarm Tone (WAT), if transmitted, is sent within one to three seconds following the third header code burst. The frequency of the WAT is 1050Hz ($\pm 0.3\%$) for 8 to 10 seconds at no less than 80% modulation (± 4.0 kHz deviation minimum, ± 5.0 kHz deviation maximum).

Voice Message. If transmitted, the actual voiced message begins within three to five seconds following the last NWR SAME code burst or WAT, whichever is last. The voice audio ranges between 20% modulation (± 1 kHz deviation) and 90% modulation (± 4.5 kHz deviation) with occasional lulls near zero and peaks as high as, but not exceeding, 100% modulation (± 5.0 kHz deviation). Total length of the voice message should not exceed two minutes.

Preamble. A repeat of above.

End Of Message. EOM is identified by the use of "NNNN."

7.8.1 Message Code Format

(Preamble) ZCZC-ORG-EEE-PSSCCC-PSSCCC+TTTT-JJHHMM-LLLLLLLLL- (1 second pause)

(Preamble) ZCZC-ORG-EEE-PSSCCC-PSSCCC+TTTT-JJHHMM-LLLLLLLLL- (1 second pause)

(Preamble) ZCZC-ORG-EEE-PSSCCC-PSSCCC+TTTT-JJHHMM-LLLLLLLLL- (1 to 3 second pause)

1050 Hz Warning Alarm Tone for 8 to 10 seconds – (if transmitted) (3 to 5 second pause)

Voice /spoken oral text of message – (if transmitted) (1 to 3 second pause)

(Preamble) NNNN (1 second pause)

(Preamble) NNNN (1 second pause)

(Preamble) NNNN

7.8.2 WAT Detection

The WAT detector is enabled by setting the NWR bit \$C1:b12 and indicated by setting b15 of the NWRData register (\$BB). If enabled, the NWR IRQ bit in the Status register \$C6:b14 will also be set. The detector will be reset after 500ms, so multiple detections may be indicated on long WAT tones.

7.8.3 SAME Decoding

The SAME data is received at 520.83bps and decoded by the CMX885 whenever the NWR bit \$C1:b12 is set. Internally, the CMX885 monitors the selected input until it detects the preamble sequence and then passes the subsequently recovered data to the host uC via the NWR Data register (\$BB). The decoder will detect the data header and determine if it is "ZCZC" indicating that data follows or "NNNN" indicating the end of a transmission and report these states in bits 13 and 14 of the NWR Data register (\$BB) respectively). If enabled, the NWR IRQ bit in the Status register \$C6:b14 will also be set following the detection of the preamble and on every subsequently received byte.

When the En_NWR_data bit is set, the receiver outputs the received bitstream. The host is allowed to set this bit at any time to get "raw mode" data output with no preamble/header detection and no guarantee of byte alignment.

When the En_NWR_data bit is clear, the receiver searches for a valid SAME transmission but does not output data. If it sees a preamble followed by the data header ("ZCZC"), it raises an IRQ and *automatically* sets the En_NWR_data bit to put itself into data-output mode. It is then up to the host to decide when to clear the En_NWR_data bit to put the receiver back into sync-search mode (thus "re-arming" it).

If the receiver sees a preamble followed by the end-of-message header ("NNNN") while doing sync-search, it informs the host [2] and then continues the search without putting itself into data-output mode.

It is the responsibility of the host to shut the decoder down at the end of a received burst by clearing the En_NWR_data bit \$C7:b12 to 0.

7.9 Auxiliary ADC Operation

The input to the Auxiliary ADCs can be independently routed to any of the signal input pins under control of the AuxADC and Tx MOD mode register, \$A7. Conversions will be performed as long as a valid input source is selected; to stop the ADC, the input source should be set to "none". Register \$C0:b6, BIAS, must be enabled for Auxiliary ADC operation.

Averaging can be applied to the ADC readings by selecting the relevant bits in the AuxADC and Tx MOD mode register, \$A7, the length of the averaging is determined by the value in the Program Blocks P3.0 and P3.1, and defaults to a value of 0. This is a rolling average system such that a proportion of the current data will be added to the last value. The proportion is determined by the value of the average counter in P3.0 and P3.1. For an average value of 0; 50% of the current value will be applied, for a value of 1 = 25%, 2 = 12.5% etc. The maximum useful value of this field is 8. Averaging will begin with the current value of the AuxADC, therefore it is recommended that the AuxADC be enabled for at least one sample (250µs) before starting the average process to ensure that its initial value is as expected, otherwise the initial value will default to zero.

High and low thresholds may be independently applied to both ADC channels (the comparison is applied after averaging, if this is enabled) and an IRQ generated when either the high threshold is crossed by a rising edge signal or the low threshold is passed by a falling edge signal, which allows the user to implement a selectable degree of hysteresis. The thresholds are programmed via the AuxADC Threshold register, \$B5.

Auxiliary ADC data is read back in the AuxADC Data register (\$A9) and includes the threshold status as well as the actual conversion data (subject to averaging, if enabled).

See:

- AuxADC and Tx MOD Mode – \$A7 write
- AuxADC1 Data – \$A9 read
- AuxADC2 Data – \$AA read
- AuxADC Threshold Data – \$B5 write

7.10 Auxiliary DAC/RAMDAC Operation

The four Auxiliary DAC channels are programmed via the AuxDAC Control register, \$A8. AuxDAC channel 1 may also be programmed to operate as a RAMDAC which will automatically output a pre-programmed profile at a programmed rate. The AuxDAC Control register, \$A8, with b12 set, controls this mode of operation. The default profile is a raised cosine (see Table 7), but this may be over-written with a user defined profile by writing to Program Block P3.11. The RAMDAC operation is only available in Tx mode and, to avoid glitches in the ramp profile, it is important not to change to Idle or Rx mode whilst the RAMDAC is still ramping. The AuxDAC outputs (available on their respective DAC pins) hold the user-programmed level during a powersave operation if left enabled, otherwise they will return to zero. Note that access to all four AuxDACs is controlled by the AuxDAC Control register, \$A8, and therefore to update all AuxDACs requires four writes to this register. It is not possible to simultaneously update all four AuxDACs.

See:

- AuxDAC Control/Data – \$A8 write

7.11 Digital System Clock Generator

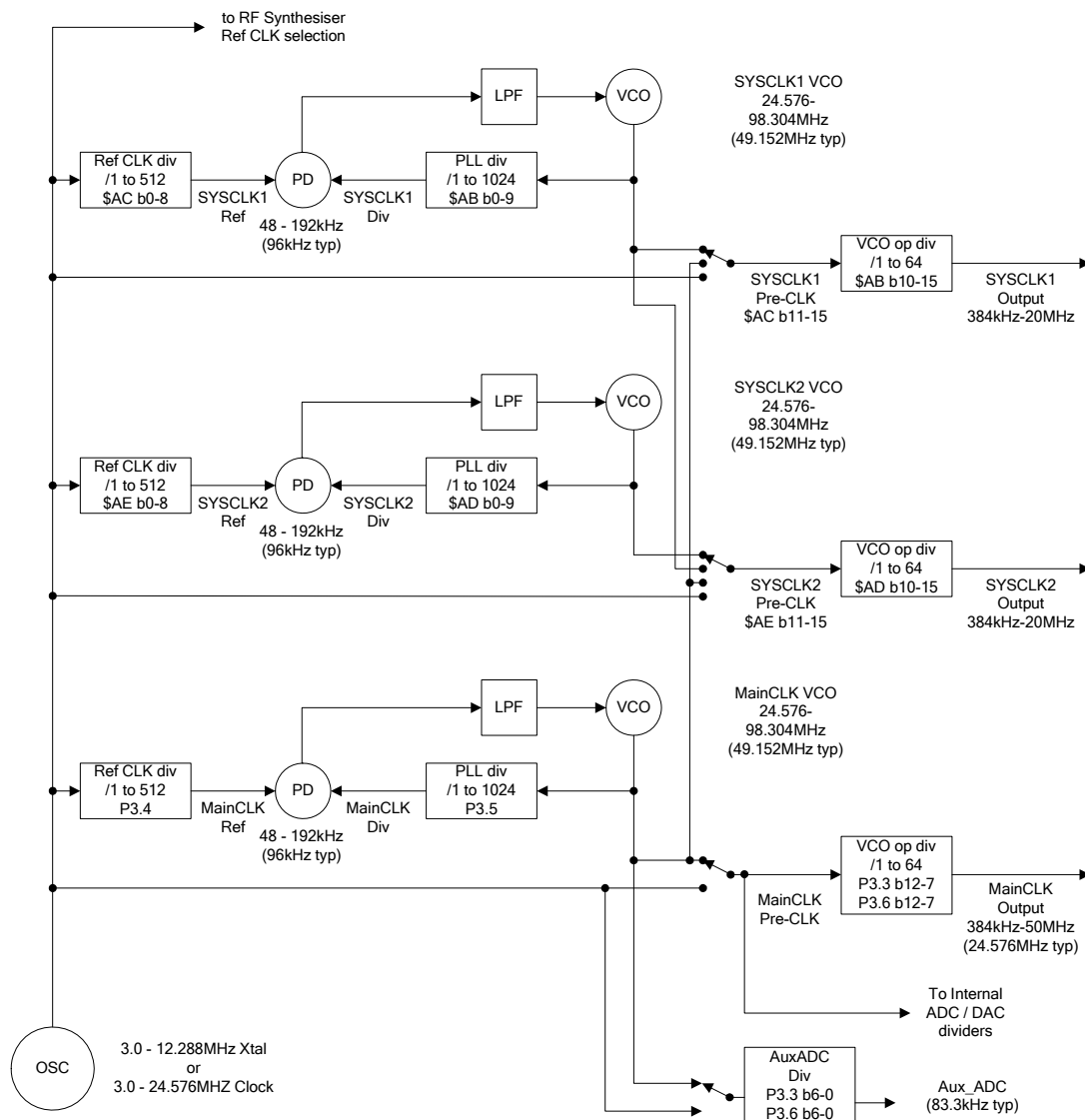


Figure 13 Digital Clock Generation Schemes

The CMX885 includes a 2-pin crystal oscillator circuit. This can either be configured as an oscillator, as shown in section 5, or the XTAL input can be driven by an externally generated clock. The crystal (Xtal) source frequency can go up to 12.288MHz (clock source frequency up to 24.576MHz), but by default, a 3.6864MHz Xtal is assumed for the functionality provided in the CMX885.

7.11.1 Main Clock Operation

A PLL is used to create the main clock (MainCLK - nominally 24.576MHz) for the internal sections of the CMX885. At the same time, other internal clocks are generated by division of either the Xtal Reference Clock or the Main Clock. These internal clocks are used for determining the sample rates and conversion times of A-to-D and D-to-A converters, running a General Purpose Timer, the signal processing block. In particular, it should be noted that in Idle mode the setting of the GP Timer divider directly affects the C-BUS latency (with the default values this is nominally 250µs).

The CMX885 defaults to the settings appropriate for a 3.6864MHz Xtal, however if other frequencies are to be used (to facilitate commonality of Xtals between external RF synthesizers and the CMX885 for instance) then the Program Block registers P3.2 to P3.7 will need to be programmed appropriately at power-on. A table of common values is provided in Table 2.

See:

- Program Block 3 – AuxDAC, RAMDAC and Clock Control

7.11.2 System Clock Operation

Two System Clock outputs, SYSCLK1 and SYSCLK2, are available to drive additional circuits, as required. These are phase locked loop (PLL) clocks that can be programmed via the System Clock registers with suitable values chosen by the user. The System Clock PLL Configure registers (\$AB and \$AD) control the values of the VCO Output divider and Main Divide registers, while the System Clock Ref. Configure registers (\$AC and \$AE) control the values of the Reference Divider and signal routing configurations. The PLLs are designed for a reference frequency of 96kHz. If not required, these clocks can be independently powersaved. The clock generation scheme is shown in the block diagram of Figure 13. Note that at power-on, these outputs are disabled.

See:

- SYSCLK1 and SYSCLK2 PLL Data – \$AB, \$AD write
- SYSCLK1 and SYSCLK2 REF – \$AC and \$AE write

7.12 GPIO

Two pins are provided for control of external hardware. RXENA and TXENA are driven by the device to follow the state of the Rx and Tx Mode bits in the Mode register, \$C1:

\$C1 Mode:	b1	b0	TXENA	RXENA
Idle	0	0	1	1
Rx	0	1	1	0
Tx	1	0	0	1
reserved	1	1	1	1

7.13 Signal Level Optimisation

The internal signal processing of the CMX885 will operate with wide dynamic range and low distortion only if the signal level at all stages in the signal processing chain is kept within the recommended limits. For a device working from a 3.3V $\pm 10\%$ supply, the maximum signal level which can be accommodated without distortion is $[(3.3 \times 90\%) - (2 \times 0.3V)]$ Volts pk-pk = 838mVrms, assuming a sine wave signal. Compared to the reference level of 308mVrms, this is a signal of +8.69dB. This level should not be exceeded at any stage.

7.13.1 Transmit Path Levels

For the maximum signal out of the MOD1 and MOD2 attenuators, the signal level at the output of the Analogue Routing block should not exceed +8.69dB, assuming both fine and coarse output attenuators are set to a gain of 0dB. This means that the output from the soft limiter must not exceed 838mVrms. If pre-emphasis is used, an output signal at 3000Hz will have three times the amplitude of a signal at 1000Hz, so the signal level before pre-emphasis should not exceed 279mVrms. The Fine Input Gain adjustment has a maximum attenuation of 3.5dB and no gain, whereas the Coarse Input Gain adjustment has a variable gain of up to +22.4dB and no attenuation. If the highest gain setting were used, then the maximum allowable input signal level at the MICFB pin would be 54mVrms. With the lowest gain setting (0dB), the maximum allowable input signal level at the MICFB pin would be 718mVrms.

7.13.2 Receive Path Levels

For the maximum signal out of the AUDIO attenuator, the signal level at the output of the Analogue Routing block should not exceed +8.69dB, assuming both fine and coarse output attenuators are set to a gain of 0dB. That is a signal level of 838mVrms. If de-emphasis is used, an output signal at 300Hz will have three and one third times the amplitude of a signal at 1000Hz, so the signal level before de-

emphasis should not exceed 251mVrms. The Fine Input Gain adjustment has a maximum attenuation of 3.5dB and no gain, whereas the Coarse Input Gain adjustment has a variable gain of up to +22.4dB and no attenuation. If the highest gain setting were used, then the maximum allowable input signal level at the DISCFB pin would be 12.0mVrms. With the lowest gain setting (0dB), the maximum allowable input signal level at the DISCFB pin would be 158mVrms. The signal level of +8.69dB (838mVrms) is an absolute maximum, which should not be exceeded anywhere in the signal processing chain if severe distortion is to be avoided.

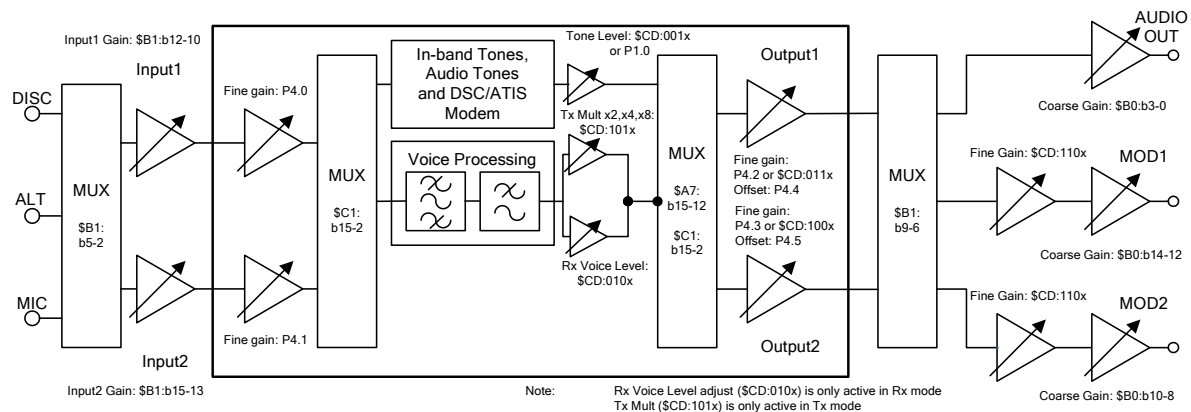


Figure 14 Level Adjustments

7.14 C-BUS Interface

7.14.1 Interrupt Operation

The CMX885 will issue an interrupt on the IRQN line when the IRQ bit (bit 15) of the Status register and the IRQ Mask bit (bit 15) are both set to 1. The IRQ bit is set when the state of the interrupt flag bits in the Status register change from a 0 to 1 and the corresponding mask bit(s) in the Interrupt Mask register is(are) set. Enabling an interrupt by setting a mask bit (0→1) after the corresponding Status register bit has already been set to 1 will also cause the IRQ bit to be set.

All interrupt flag bits in the Status register, except the PRG flag (bit 0), are cleared and the interrupt request is cleared following the command/address phase of a C-BUS read of the Status register. The PRG flag bit is set to 1 only when it is permissible to write a new word to the Programming register.

See:

- Status – \$C6 read
- Interrupt Mask – \$CE

7.14.2 General Notes

In normal operation, the most significant registers are:

- Mode Control – \$C1 write
- Status – \$C6 read
- Analogue Output Gain – \$B0 write
- Input Gain and Output Signal Routing – \$B1 write
- Audio Control – \$C2 write

Setting the Mode Control register to either Rx or Tx will automatically increase the internal clock speed to its operational rate, whilst setting the Mode Control register to Idle will automatically return the internal clock to a lower (powersaving) rate. To access the Program Blocks (through the Programming register, \$C8) the device MUST be in Idle mode.

Under normal circumstances, the CMX885 manages the main clock control automatically, using the default values loaded in Program Block 3.

8 Configuration Guide

8.1 C-BUS Register Summary

ADDR. (hex)		REGISTER	Word Size (bits)
\$01	W	C-BUS RESET	0
\$A7	W	AuxADC and Tx MOD Mode	16
\$A8	W	AuxDAC Control/Data	16
\$A9	R	AuxADC1 Data	16
\$AA	R	AuxADC2 Data	16
\$AB	W	SYSCLK1 PLL Data	16
\$AC	W	SYSCLK1 REF	16
\$AD	W	SYSCLK2 PLL Data	16
\$AE	W	SYSCLK2 REF	16
\$AF		<i>reserved</i>	
\$B0	W	Analogue Output Gain	16
\$B1	W	Input Gain and Output Signal Routing	16
\$B2		<i>reserved</i>	
\$B3		<i>reserved</i>	
\$B4		<i>reserved</i>	
\$B5	W	AuxADC Threshold Data	16
\$B6		<i>reserved</i>	
\$B7		<i>reserved</i>	
\$B8		<i>reserved</i>	
\$B9		<i>reserved</i>	
\$BA		<i>reserved</i>	
\$BB	R	NWR Status and Data	16
\$BC		<i>reserved</i>	
\$BD		<i>reserved</i>	
\$BE		<i>reserved</i>	
\$BF		<i>reserved</i>	
\$C0	W	Power-Down Control	16
\$C1	W	Mode Control	16
\$C2	W	Audio Control	16
\$C3	W	Tx Inband Tones	16
\$C4		<i>reserved</i>	
\$C5	R	Rx Data 1	16
\$C6	R	Status	16
\$C7	W	Modem Configuration	16
\$C8	W	Programming	16
\$C9		<i>reserved</i>	
\$CA	W	Tx Data 1	16
\$CB		<i>reserved</i>	
\$CC	R	Tone Status / Device Ident Code	16
\$CD	W	Audio Tone	16
\$CE	W	Interrupt Mask	16
\$CF		<i>reserved</i>	

The detailed descriptions of the C-BUS registers are presented in numerical order and should be read in conjunction with the relevant functional descriptions in the Datasheet.

All other C-BUS addresses (including those not listed above) are either reserved for future use or allocated for production testing and must not be accessed in normal operation.

8.1.1 Reset Operations

A reset is automatically performed when power is applied to the CMX885. A reset can be issued as a C-BUS command, either as a General Reset command (\$01), or by setting the appropriate bit (b5) in the Powerdown Control register (\$C0). In the latter case, an option exists to protect the values held in the Program Block (which is accessed via the Programming register, \$C8). The action of each reset type is shown in the table below:

Table 4 Reset Operations

	Reset Type	Protect Bit (\$C0 b4) State	Program Block State
1	Power on	cleared by h/w	default
2	General Reset (C-BUS \$01)	cleared by h/w	default
3	Reset (C-BUS \$C0 b5)	0	default
4	Reset (C-BUS \$C0 b5)	1	protected

8.1.2 General Reset – \$01 write

The General Reset command has no data attached to it. It sets all operational C-BUS registers to \$0000, (apart from the registers marked as *reserved*). Note that some transient data may appear in the following registers during the reset and power-up processes – this should be ignored:

Aux ADC 1 Data	\$A9	Aux ADC 2 Data	\$AA
NWR Status and Data	\$BB	Rx Data 1	\$C5
Status	\$C6	Tone Status / Ident	\$CC

8.1.3 AuxADC and Tx MOD Mode – \$A7 write

15	14	13	12	11	10	9	8	7	6	5	4	3	2	1	0
Tx Mod Mode				Aux ADC2 AV Mode		Aux ADC2 I/P Select			Aux ADC1 AV Mode		Aux ADC1 I/P Select			0	0

				Tx MOD Mode	
b15	b14	b13	b12	Output1	Output2
0	0	1	1	Inband	Inband
0	0	1	0	Inband	Bias
0	0	0	1	Inband	Bias
0	0	0	0	Bias	Bias

To select the routing between the Output1, Output2 and MOD1, MOD2 and AUDIO, see section 8.1.10

			AuxADC Averaging Mode
b11	b10	AuxADC2	
b6	b5	AuxADC1	
1	1	reserved	
1	0	reserved	
0	1	rolling average, uses Program Block 3.0/3.1 value	
0	0	No averaging	

				AuxADC Input Select
b9	b8	b7	AuxADC2	
b4	b3	b2	AuxADC1	
1	1	1	ADC4	
1	1	0	ADC3	
1	0	1	ADC2	
1	0	0	ADC1	
0	1	1	MICN	
0	1	0	ALTN	
0	0	1	DISCN	
0	0	0	off	

8.1.5 AuxADC1 Data – \$A9 read

15	14	13	12	11	10	9	8	7	6	5	4	3	2	1	0
Threshold Status		x	x	x	x	Aux ADC 1 Data									

b15-14 Threshold Status

b15 = 1 signal is above the high threshold
 = 0 signal is below the high threshold
 b14 = 1 signal is below the low threshold
 = 0 signal is above the low threshold

b13 *reserved*b12 *reserved*b11 *reserved*b10 *reserved*

b9–0 AuxADC1 data or last reading (unsigned)

8.1.6 AuxADC2 Data – \$AA read

15	14	13	12	11	10	9	8	7	6	5	4	3	2	1	0
Threshold Status		x	x	x	x	Aux ADC 2 Data									

b15-14 Threshold Status

b15 = 1 signal is above the high threshold
 = 0 signal is below the high threshold
 b14 = 1 signal is below the low threshold
 = 0 signal is above the low threshold

b13 *reserved*b12 *reserved*b11 *reserved*b10 *reserved*

b9-0 AuxADC2 data or last reading (unsigned)

8.1.7 SYSCLK1 and SYSCLK2 PLL Data – \$AB, \$AD write**C-BUS address: \$AB – SYSCLK1 PLL****C-BUS address: \$AD – SYSCLK2 PLL**

15	14	13	12	11	10	9	8	7	6	5	4	3	2	1	0
VCO Op Divide Ratio <5-0>						PLL Feedback Divide Ratio <9-0>									

b15-10 divide the selected output clock source by the value in these bits, to generate the System Clock output. Divide by 64 is selected by setting these bits to 0.

b9-0 divide System Clock PLL VCO clock by value set in these bits as feedback to the PLL phase detector (PD); when the PLL is stable, this will be the same frequency as the internal reference as set by b8-b0 of the System Clock Reference and Source Configuration register (\$AC). Divide by 1024 is selected by setting these bits to 0.

8.1.8 SYSCLK1 and SYSCLK2 REF – \$AC and \$AE write**C-BUS address: \$AC – SYSCLK1 Ref****C-BUS address: \$AE – SYSCLK2 Ref**

15	14	13	12	11	10	9	8	7	6	5	4	3	2	1	0
Select & PS Clock Sources					O/P Slew		Ref Clock Divide Ratio <8-0>								

b15,12,11 Clock output divider source

SYSCLK1 Source	b15	b12	b11
Xtal	0	x	x
SYSCLK1 PLL	1	0	0
Main PLL	1	0	1
Test	1	1	x

SYSCLK2 Source	b15	b12	b11
Xtal	0	x	x
SYSCLK2 PLL	1	0	0
Main PLL	1	0	1
SYSCLK1 PLL	1	1	0
Test	1	1	1

b14 Powersave PLL 0 = powersave 1 = enabled

b13 Powersave Output Divider 0 = powersave / bypass 1 = enabled

b10-9 Output Slew Rate

b10	b9	Output Slew Rate
0	0	normal
0	1	slow
1	0	fast
1	1	fast

b8-b0 Reference Clk divide value. Divide by 512 function is selected by setting these bits to 0.

Note that after a General Reset, there will be no signal present on the SYSCLK1 and SYSCLK2 pins.

8.1.9 Analogue Output Gain – \$B0 write

15	14	13	12	11	10	9	8	7	6	5	4	3	2	1	0
Inv_1	MOD1 Attenuation			Inv_2	MOD2 Attenuation			Ramp Up/Dn	0	0	0	Audio Output Attenuation			

b15 Output1 polarity 0 = true 1 = inverted

b11 Output2 polarity 0 = true 1 = inverted

Used when interfacing with RF. Any change will take place immediately (within the C-BUS latency period) after these bits are changed.

b14	b13	b12	MOD1 Output Attenuation
b10	b9	b8	MOD2 Output Attenuation
0	0	0	>40dB (default)
0	0	1	12dB
0	1	0	10dB
0	1	1	8dB
1	0	0	6dB
1	0	1	4dB
1	1	0	2dB
1	1	1	0dB

b7 Ramp Up/Down enable 0 = off 1 = on

When bit 7 is set to 1 the MOD output signals are ramped to reduce transients in the transmitted signal. The ramp up/down time is set in the 'Ramp Rate Control' section of the Programming register (P4.6).

Bits 6 to 4 are reserved - set to 0.

b3	b2	b1	b0	Audio Output Attenuation
0	0	0	0	>60dB (default)
0	0	0	1	44.8dB
0	0	1	0	41.6dB
0	0	1	1	38.4dB
0	1	0	0	35.2dB
0	1	0	1	32.0dB
0	1	1	0	28.8dB
0	1	1	1	25.6dB
1	0	0	0	22.4dB
1	0	0	1	19.2dB
1	0	1	0	16.0dB
1	0	1	1	12.8dB
1	1	0	0	9.6dB
1	1	0	1	6.4dB
1	1	1	0	3.2dB
1	1	1	1	0dB

Note that fine level control of Output 1 and Output 2 can be achieved with the FINE OUTPUT GAIN 1 and FINE OUTPUT GAIN 2 registers (P4.2-3). These affect the MOD1, MOD2 and AUDIO outputs according to the routing set in registers \$A7 and \$B1.

8.1.10 Input Gain and Output Signal Routing – \$B1 write

15	14	13	12	11	10	9	8	7	6	5	4	3	2	1	0
Input 2 Gain			Input 1 Gain			MOD1 Source		MOD2 Source	AUDIO Source	Input 1 Routing		Input 2 Routing		0	0

b12	b11	b10	Input 1 Gain
b15	b14	b13	Input 2 Gain
0	0	0	0dB (default)
0	0	1	3.2dB
0	1	0	6.4dB
0	1	1	9.6dB
1	0	0	12.8dB
1	0	1	16.0dB
1	1	0	19.2dB
1	1	1	22.4dB

b7	MOD2 Source
0	bias -> MOD2 (default)
1	Output 2 -> MOD2

b6	AUDIO Source
0	bias -> AUDIO (default)
1	Output 1 -> AUDIO

b9	b8	MOD1 Source
0	0	bias (default)
0	1	bias
1	0	Output 1 -> MOD1
1	1	Output 2 -> MOD1

b5	b4	Input 1 Signal Routing
b3	b2	Input 2 Signal Routing
0	0	bias (default)
0	1	DISCN
1	0	ALTN
1	1	MICN

Output 1 and Output 2 signal sources are also defined in section 8.1.3.

Bits 1, 0 are reserved – clear to 0.

There are a number of applications where it may be desirable to split the processing across both inputs, such as monitoring two RF receivers, in which case, Input 1 could be routed from the DISCN input with voice and DSC or NWR processing set to Input 2 from the ALTN input.

Similarly, for the output routing, under normal operation, In Tx Mode, Output 1 would be routed to MOD1 and Output 2 to MOD2. The signals that appear on Output 1 and Output 2 are defined in the Tx MOD Mode register, \$A7:b14 to b12.

If the AUDIO output is selected in Tx mode (using b6) it will present the signal that has been routed to Output 1. This can be used for “sidetone” when transmitting Inband signalling in 1 or 2-point modulation modes. In Rx mode, the Audio Process is automatically routed to Output 1.

An audio output is only available when in Rx or Tx Mode.

8.1.11 Reserved – \$B2 write**8.1.12 Reserved – \$B3 write****8.1.13 Reserved – \$B4 8-bit read**

8.1.14 AuxADC Threshold Data – \$B5 write

15	14	13	12	11	10	9	8	7	6	5	4	3	2	1	0
ADC Sel	High /Low	0	0	0	0	Aux ADC Threshold Data									

b15 AuxADC select 0 = AuxADC1 1 = reserved
 b14 high/low select 0 = low threshold 1 = high threshold
 b13 reserved 0
 b12 reserved 0
 b11 reserved 0
 b10 reserved 0
 b9-0 Threshold Data

8.1.15 Reserved – \$B6 write**8.1.16 NWR Status and Data – \$BB read**

15	14	13	12	11	10	9	8	7	6	5	4	3	2	1	0
NWR Status				x	x	x	x	NWR SAME Data							

b15 NWR WAT tone status 0 = no tone 1 = WAT tone detected
 b14 NWR SAME data terminator 0 = no data 1 = data terminator NNNN detected
 b13 NWR SAME data header 0 = no data 1 = data header ZCZC detected
 b12 NWR SAME data status 0 = no data 1 = data available
 b11 reserved
 b10 reserved
 b9 reserved
 b8 reserved
 b7-0 NWR SAME data

8.1.17 Powerdown Control – \$C0 write

15	14	13	12	11	10	9	8	7	6	5	4	3	2	1	0
ALT Amp	MIC Amp	DISC Amp	IP1 ENA	OP1 ENA	OP2 ENA	MOD1 ENA	MOD2 ENA	AUDIO ENA	BIAS	Reset	Protect	XTAL DIS	IP2 ENA	0	0

b15 ALT Amp Enable 0 = off 1 = enabled
 b14 MIC Amp Enable 0 = off 1 = enabled
 b13 DISC Amp Enable 0 = off 1 = enabled
 b12 Input 1 Enable 0 = off 1 = enabled
 b11 Output 1 Enable 0 = off 1 = enabled
 b10 Output 2 Enable 0 = off 1 = enabled
 b9 MOD1 Enable 0 = off 1 = enabled
 b8 MOD2 Enable 0 = off 1 = enabled
 b7 AUDIO Enable 0 = off 1 = enabled
 b6 BIAS Block Enable 0 = off 1 = enabled
 b5 Reset 0 = normal 1 = reset/powersave
 b4 Program Block Protect 0 = normal 1 = protected
 If cleared, the Program Blocks will be initialised on Power on or Reset. If set, then the Program Blocks will retain their previous contents.
 b3 XTAL Disable 0 = enabled 1 = disabled / powersave
 Setting this bit effectively stops all signal processing within the device.
 b2 Input 2 Enable 0 = off 1 = enabled
 b1 reserved 0 1 = DO NOT USE
 b0 reserved 0 1 = DO NOT USE

Note: Care should be taken when writing to b5 and b3. These are automatically programmed to an operational state following a power-on (ie: all 0s). Writing a 1 to either b5 or b3 will effectively cause the

device to cease all processing activity, including responding to other C-BUS commands (except General Reset, \$01).

When b5 is set, the device will be held in reset and all signal processing will cease (including AuxADC operation).

When b3 is set the Xtal is disabled. When b3 is subsequently cleared, it may take some time for the clock signal to become stable, hence care should be taken in using this feature.

8.1.18 Mode Control – \$C1 write

15	14	13	12	11	10	9	8	7	6	5	4	3	2	1	0
0	Audio	NWR	Inband Modes				0	0	0	Data Mode			Idle/Rx/Tx		

b15	<i>reserved</i>		0												
b14	Audio Enable		0 = off					1 = enabled (uses Input 1 source)							
b13	NWR Source		0 = Input 1					1 = Input 2							
b12	NWR Enable		0 = off					1 = enabled (enables both WAT and SAME)							
b11	Inband Source		0 = Input 1					1 = Input 2							
b10	Audio Generator Enable		0 = off					1 = enabled							
b9	<i>reserved</i>		0												
b8	DTMF Enable		0 = off					1 = enabled							
b7	<i>reserved</i>		0												
b6	<i>reserved</i>		0												
b5	<i>reserved</i>		0												
b4	Modem Source		0 = Input 1					1 = Input 2							
b3	<i>reserved</i>		0												
b2	Modem Enable		0 = off					1 = enabled							
b1-0	Operational mode		00 Idle												
			01 Rx												
			10 Tx												
			11 <i>reserved</i>												

Changes to the settings of the bits in this register are implemented as soon as they are received over the C-BUS (note that the C-BUS has a potential latency of up to 250µs).

In Tx mode, it is not permissible to set BOTH b3 and b2 at the same time.

In Tx mode, it is only permissible to select ONE of the following at any time:

- Audio
- Inband Signalling
- DSC Signalling

Note that if the Audio Processing bit (b14) is set at the same time as an Inband signalling bit in Tx mode, the Inband signal will be subjected to a 6dB gain.

It is essential that changes to the Programming register and the Audio Control register are completed before entering Rx or Tx mode.

The following other registers or bits can be changed as appropriate (Note: not all possible changes are appropriate), whilst the device is in Tx or Rx mode:

- Analogue Output Gain register (\$B0)
- AuxADC and Tx MOD Mode register (\$A7)
- Input Gain and Signal Routing register (\$B1)
- Power Down Control register (\$C0)
- Tx Inband Tones register (\$C3)
- Tx Data registers (\$CA & \$CB)
- Audio Tone register (\$CD)
- Interrupt Mask register (\$CE)

8.1.19 Audio Control – \$C2 write

15	14	13	12	11	10	9	8	7	6	5	4	3	2	1	0
Scramble	0	Emph	12k5	25k	HPF	0	0	0	0	0	0	0	0	0	0

b15 Audio Scrambling Enable 0 = off 1 = enabled
b14 *reserved*
b13 Audio Pre/De-emphasis 0 = off 1 = enabled⁵
b12 Audio 12.5kHz Filter Enable 0 = off 1 = enabled
b11 Audio 25kHz Filter Enable 0 = off 1 = enabled
b10 Audio 300Hz HPF Enable 0 = off 1 = enabled

b9-0 reserved

8.1.20 Tx Inband Tones – \$C3 write

15	14	13	12	11	10	9	8	7	6	5	4	3	2	1	0
0	0	0	0	0	0	0	0	0	0	twist	sgl	Tx DTMF Tone			

b15-6 reserved, clear to 0.
b5 DTMF Twist 0 = normal 1 = -2dB of twist applied to the lower DTMF tone.
b4 DTMF Single Tone 0 = normal 1 = Single Tone, see Table 3 DTMF Tone Pairs
b3-0 DTMF tone value – see Table 3 DTMF Tone Pairs

See section 8.1.21.

8.1.21 Rx Data 1 – \$C5 read

Bit:	15	14	13	12	11	10	9	8	7	6	5	4	3	2	1	0
\$C5	flag	DSC Character 0						flag	DSC Character 1							

This word holds the most recent bytes (Byte 0 and 1) of DSC data decoded. Received data is continuous, if the data is not read before the next data is received the current data will be over-written.

In DSC Formatted mode, if the flag bit (b15 or b7) is set, then the accompanying character has been received with an error detected.

⁵ In order to pre-emphasise the FSK data, Program Block P0.0 bit 11 should be set.

8.1.22 Status – \$C6 read

15	14	13	12	11	10	9	8	7	6	5	4	3	2	1	0
IRQ	NWR	res	DTMF	res	res	Aux ADC2	Aux ADC1	Data End	Data RDY	res	res	DSC	res	res	PRG

b15 IRQ

Changes in the Status register will cause this bit to be set to 1 if the corresponding interrupt mask bit is enabled. An interrupt request is issued on the IRQN pin when this bit is 1 and the IRQ MASK bit (b15 of Interrupt Mask register, \$CE) is set to 1.

b14 NWR status change

The NOAA Weather Receiver has detected a change in the status of the WAT tone or SAME data. The NWR data/status register \$BB should be read to determine the exact cause.

b13 reserved**b12 DTMF event**

A valid DTMF tone has been detected and can be read from the Tone Status register, \$CC.

b11 reserved**b10 reserved****b9 AuxADC2 Threshold change**

AUX ADC2 signal has just gone above the high threshold or has just gone below the low threshold. The AuxADC2 data register \$AA should be read to determine the exact cause.

b8 AuxADC1 Threshold change

AUX ADC1 signal has just gone above the high threshold or has just gone below the low threshold. The AuxADC1 data register \$A9 should be read to determine the exact cause.

b7 Data End

Rx mode: this bit is not used, so its value should be ignored. See section 7.7.1.

Tx mode: this will be set when the last bit of DSC data has been transmitted. After allowing a short time delay associated with the external components and radio circuitry, the host may power down the CMX885 and transmitter or set the CMX885 to transmit or receive new information as appropriate.

b6 Data Ready

Tx mode: indicates that new transmit data is required.

Rx mode: received data is ready to be read.

For continuous transmission or reception of information, a data transfer should be completed within the time appropriate for that data.

b5 reserved**b4 reserved****b3 DSC**

When set to 1, this bit indicates that a valid DSC data sequence has been received.

b2 reserved**b1 reserved****b0 PRG**

When set to 1, this bit indicates that the Programming register, \$C8 is available for the host to write to it. Cleared by writing to the Programming register, \$C8

Bits 2 to 15 of the Status register are cleared to 0 after the Status register is read.

The data in this register is not valid if bit 5 of the Power Down Control register, \$C0 is set to 1.

This word holds the next 2 bytes (Byte 0 and 1) of DSC data to be transmitted. Outgoing data is continuous, if new data is not provided before the current data has been transmitted the current data will be re-transmitted, until new data is provided. Transmission of current data will be completed before transmission of newly loaded data begins. See section 7.7.2.

In DSC Formatted mode, if the flag bit (b15 or b7) is set, then the accompanying character is ignored.

8.1.26 Tone Status – \$CC read

15	14	13	12	11	10	9	8	7	6	5	4	3	2	1	0
Device Ident Code															
x	DTMF Tone Detected				DT	x	x	x	x	x	x	x	x	x	x

After power-on or General Reset, this register will contain the Device Ident code related to this particular device. The host μ C may use this to confirm that the device is in its correct operational mode before attempting to actively use the device.

In normal operation, this word holds the current status of the CMX885 DTMF detector. This word should be read by the host after an interrupt caused by a DTMF event. In Tx mode this register will be cleared to 0.

b15 *reserved* – ignore this bit.

b10 set if b14-11 represent DTMF tone.

b14-11 Detected inband frequency; identifies the frequency by its position in Table 3 DTMF Tone Pairs. A change in the state of bits 14 to 10 will cause the Status register \$C6:b12, to be set to 1.

b9-0 *reserved* – ignore these bits.

8.1.27 Audio Tone – \$CD write

15	14	13	12	11	10	9	8	7	6	5	4	3	2	1	0
0	0	0	0	Audio Tone Frequency											
0	0	1	0	Audio Tone Level											
0	1	0	0	Rx Voice Level											
0	1	1	0	Output1 Fine Gain (also see P4.2)											
1	0	0	0	Output2 Fine Gain (also see P4.3)											
1	0	1	0	Tx Voice Level Multiplier											
1	0	1	1	reserved											
1	1	0	0	MOD1 and MOD2 Fine Attenuation											
1	1	0	1	<i>reserved</i>											
1	1	1	0	<i>reserved</i>											
1	1	1	1	<i>reserved</i>											
				<i>All other values reserved</i>											

Bits 15-12 determine how the remaining bit fields will be interpreted:

0000₂:

When the appropriate bit of the Mode Control register \$C1:b10 is set, an audio tone will be generated with the frequency set by bits (11-0) of the Audio Tone register in accordance with the formula below. If bits 11-0 are programmed with 0, no tone (i.e. V_{BIAS}) will be generated when the Audio Tone is enabled.

$$\text{Frequency} = \text{Audio Tone (i.e. 1Hz per LSB)}$$

The Audio Tone frequency should only be set to generate frequencies from 288Hz to 3000Hz.

The host should disable other audio band signalling and set the correct audio routing before generating an audio tone and re-enable signalling and audio routing on completion of the audio tone. The timing of intervals between these actions is controlled by the host μC .

This register may be written to whilst the audio tone is being generated, any change in frequency will take place after the end of the C-BUS write to this register. This allows complex sequences (e.g. ring or alert tones) to be generated for the local speaker (Tx or Rx via the AUDIO pin) or transmitted signal (Tx via the MOD1/MOD2 pins).

0010₂:

The Audio Tone Level may be attenuated by the value written to b11-0. The default value of \$FFF is equivalent to x1. Note that this adjustment will affect ALL signals generated by the In-Band signalling block (DTMF, FSK, Audio Tone). This register operates in parallel with P1.0, but allows the level to be adjusted “on-the-fly” without needing to drop back into Idle mode.

0100₂:

In Rx mode, the voice level may be attenuated by the value written to b11-0. The default value of \$FFF is equivalent to x1. Note that this adjustment will only affect signals in the voice processing path as enabled by the Mode Control register \$C1:b14. This allows the voice level to be adjusted “on-the-fly” and in conjunction with the Audio Output attenuator \$B0:b3 to b0, offers a “fine gain” volume control. Approximate values for 0.2dB steps are shown in Table 5.

b11-0 Value (hex)	Attenuation (dB)	b11-0 Value (hex)	Attenuation (dB)
FFF	0	D50	1.6
F90	0.2	CF0	1.8
F40	0.4	CB0	2.0
EE0	0.6	C60	2.2
EA0	0.8	C20	2.4
E50	1.0	BF0	2.6
DE0	1.2	BA0	2.8
DA0	1.4	B60	3.0

Table 5 Voice Level Attenuation

0110₂:

The Output 1 level may be attenuated by the value written to b11-0. The default value of \$FFF is equivalent to x1. This register operates in parallel with P4.2, but allows the level to be adjusted “on-the-fly” without needing to drop back into Idle mode.

1000₂:

The Output 2 level may be attenuated by the value written to b11-0. The default value of \$FFF is equivalent to x1. This register operates in parallel with P4.4, but allows the level to be adjusted “on-the-fly” without needing to drop back into Idle mode.

1010₂:

This sets the value of the Tx Voice Level Multiplier at the output of the Tx limiter stage. This can be useful in situations where it has been necessary to use a small limiting threshold and still maintain an acceptable level at the MOD outputs. The default state is x1.

b2	b1	b0	Tx Voice Level Multiplier
0	0	0	x1
0	0	1	x2
0	1	0	x4
0	1	1	x8
1	0	0	x16
1	0	1	x32

1100₂:

MOD1 and MOD2 fine attenuator controls. In conjunction with the coarse attenuator register (\$B0), these bits allow fine control over the MOD1 and MOD2 levels in 0.2dB steps. Additional gain and offset control of Output 1 and Output 2 is also provided in register \$CD:0111 and \$CD:1000 settings as well as Program Blocks P4.2 – 4.5. These bits may be changed whilst the device is in Tx or Rx modes.

b3	b2	b1	b0	MOD1 Fine Output Attenuation
b7	b6	b5	b4	MOD2 Fine Output Attenuation
0	0	0	0	0dB
0	0	0	1	0.2dB
0	0	1	0	0.4dB
0	0	1	1	0.6dB
0	1	0	0	0.8dB
0	1	0	1	1.0dB
0	1	1	0	1.2dB
0	1	1	1	1.4dB
1	0	0	0	1.6dB
1	0	0	1	1.8dB

8.1.28 Interrupt Mask – \$CE write

15	14	13	12	11	10	9	8	7	6	5	4	3	2	1	0
IRQ	NWR	0	DTMF	0	0	Aux ADC2	Aux ADC1	Data End	Data RDY	0	0	DSC	0	0	PRG

Bit	Value	Function
15	1	Enable selected interrupts
	0	Disable all interrupts (IRQN pin not activated)
14	1	Enable NWR detection
	0	Disabled
13	0	<i>reserved</i>
12	1	Enable interrupt when a valid DTMF tone is detected
	0	Disabled
11	0	<i>reserved</i>
10	0	<i>reserved</i>
9	1	Enable interrupt when the Aux ADC 2 status bit changes
	0	Disabled
8	1	Enable interrupt when the Aux ADC 1 status bit changes
	0	Disabled
7	1	Enable interrupt when DSC data transmission has ended
	0	Disabled
6	1	Enable interrupt when a DSC data transfer is required
	0	Disabled
5	0	<i>reserved</i>
4	0	<i>reserved</i>
3	1	Enable interrupt when valid DSC data is detected
	0	Disabled
2	0	<i>reserved</i>
1	0	<i>reserved</i>
0	1	Enable interrupt when Prog Flag bit of the Status register changes from 0 to 1 (see Programming register \$C8)
	0	Disabled

8.1.29 Reserved – \$CF write

This C-BUS address is allocated for production testing and must not be accessed in normal operation.

8.2 Programming Register Operation

In order to support radio systems that may not comply with the default settings of the CMX885, a set of Program Blocks is available to customise the features of the device. It is envisaged that these blocks will usually only be written to following a power-on of the device and hence can only be accessed while the device is in Idle mode. Access to these blocks is via the Programming register (\$C8).

All other interrupt sources should be disabled and the AuxADCs switched off while loading the Program Blocks.

The Programming register should only be written to when the PRG flag in the Status register \$C8:b0 is set to 1 and the Rx and Tx modes are disabled (bits 0 and 1 of the Mode Control register both 0) and the AuxADC is disabled.

The PRG flag is cleared when the Programming register is written to by the host. When the corresponding programming action has been completed (normally within the C-BUS latency period, 250µs) the CMX885 will set the flag back to 1 to indicate that it is now safe to write the next programming value. The Programming register must not be written to while the PRG flag bit is 0. Programming is performed by writing a sequence of 16-bit words to the Programming register in the order shown in the following tables. Writing data to the Programming register MUST be performed in the order shown for each of the blocks, however the order in which the blocks are written is not critical. If later words in a block do not require updating the user may stop programming that block when the last change has been performed. e.g. If only 'Fine output Atten 1' needs to be changed the host will need to write to P4.0, P4.1 and P4.2 only.

The user must not exceed the defined word counts for each block.

The internal pointer for each Program block write is initialised by setting bit 15 to 1. Bits 14-12 are then used to select the particular Program block in use as shown in Table 6. Subsequent writes to the Program Register (with b15 cleared to 0) will increment the pointer until the end of the Program Block is reached. Program Block 3 has an additional feature to facilitate RAMDAC programming, where the first eleven entries of the block may be skipped by setting both b15 and b10 to 1 to initialise the pointer directly to the start of the RAMDAC table.

Table 6 Program Block Selection

b15	b14	b13	b12		Bit Field (max)
1	0	x	x	Select Block 4	14
1	1	0	0	Select Block 0	12
1	1	0	1	Select Block 1	12
1	1	1	0	Select Block 2	12
1	1	1	1	Select Block 3	12

Once the final write to the Programming register has been executed, a final check of the PRG flag should be performed before returning to normal operation.

8.2.1 Program Block 0 – Modem Configuration

Bit:	15	14	13	12	11	10	9	8	7	6	5	4	3	2	1	0
P0.0	1	1	0	0	Pre	0			DSC Frame SynC				LSB			
P0.1	0	1	0	0	0				DSC Frame SynC				MSB			
P0.2	0	1	0	0	0				DSC Frame SynD				LSB			
P0.3	0	1	0	0	0				DSC Frame SynD				MSB			
P0.4	0	1	0	0	0				<i>reserved</i>							
P0.5	0	1	0	0	0				<i>reserved</i>							
P0.6	0	1	0	0	0				<i>reserved</i>							
P0.7	0	1	0	0	0				<i>reserved</i>							
P0.8	0	1	0	0	0				DSC Bit Sync				LSB			
P0.9	0	1	0	0	0				DSC Bit Sync				MSB			

Default values:

P0.0	\$23	P0.5	\$00
P0.1	\$CB	P0.6	\$00
P0.2	\$33	P0.7	\$00
P0.3	\$B4	P0.8	\$55
P0.4	\$00	P0.9	\$55

This initiates the device with the DSC frame sync pattern of \$CB23 and bit sync of alternate 1s and 0s.

\$C8 (P0.0-3) DSC Frame Sync

Bit:	15	14	13	12	11	10	9	8	7	6	5	4	3	2	1	0
P0.0	1	1	0	0	Pre	0			DSC Frame SynC LSB							
P0.1	0	1	0	0	0				DSC Frame SynC MSB							
P0.2	0	1	0	0	0				DSC Frame SynD LSB							
P0.3	0	1	0	0	0				DSC Frame SynD MSB							

Bits 7 to 0 set the Frame Sync pattern used in Tx and Rx DSC data. Bit 7 of the MSB is compared to the earliest received data. Note that SynT is the inverse pattern of SynC.

Bit 11 enables pre-emphasis on DSC transmission.

\$C8 (P0.4-7) reserved**\$C8 (P0.8-9) DSC Bit Sync**

Bit:	15	14	13	12	11	10	9	8	7	6	5	4	3	2	1	0
P0.8	0	1	0	0	0				DSC Bit Sync LSB							
P0.9	0	1	0	0	0				DSC Bit Sync MSB							

This bit pattern is used when transmitting the bit sync.

8.2.2 Program Block 1 – Inband Tone Setup

Bit:	15	14	13	12	11	10	9	8	7	6	5	4	3	2	1	0
P1.0	1	1	0	1	Audio Band Tones/Data Tx Level											0

Default values: P1.0: \$800

\$C8 (P1.0) Audio Band Tones Tx Level

Bit:	15	14	13	12	11	10	9	8	7	6	5	4	3	2	1	0
P1.0	1	1	0	1	Audio Band Tones/Data Tx Level											0

Bits 11 (MSB) to 1 (LSB) set the transmitted DTMF, Audio Tone and FSK signal level (pk-pk) with a resolution of $AV_{DD}/2048$ per LSB (1.611mV per LSB at $AV_{DD}=3.3V$). Valid range for this value is 0 to 1536 – use with care as higher values may result in signal “clipping”.

Bit 0 reserved

8.2.3 Program Block 2 – reserved**8.2.4 Program Block 3 – AuxDAC, RAMDAC and Clock Control**

This block is divided into two sub-blocks to facilitate loading the RAMDAC buffer. Set bit 15 to restart a loading sequence. If bit 10 is set then loading the first ten locations will be skipped. If bit 10 is clear, the first ten locations must be loaded before continuing to the RAMDAC load.

The internal clock dividers only require modification if a non-standard XTAL frequency is used (see Table 2).

Bit:	15	14	13	12	11	10	9	8	7	6	5	4	3	2	1	0
P3.0	1	1	1	1	0	0	0	0	AuxADC1 Average Counter							
P3.1	0	1	1	1	0	0	0	0	<i>reserved</i>							
P3.2	0	1	1	1	GP Timer value in Idle mode											
P3.3	0	1	1	1	VCO output and AUX clk divide in Idle mode											
P3.4	0	1	1	1	Ref clk divide in Rx or Tx mode											
P3.5	0	1	1	1	PLL clk divide in Rx or Tx mode											
P3.6	0	1	1	1	VCO output and AUX clk divide in Rx or Tx mode											
P3.7	0	1	1	1	0	0	0	0	Internal ADC/DAC clk divide in Rx or Tx mode							
P3.8	0	1	1	1	0	0	0	0	ADC Internal Control 1							
P3.9	0	1	1	1	0	0	0	0	ADC Internal Control 2							
P3.10	0	1	1	1	0	0	0	0	0	0	0	0	0	ADC Internal Control 3		
P3.11	1	1	1	1	0	1	User Defined RAMDAC Data 0									
P3.xx	0	1	1	1	0	1	User Defined RAMDAC Data xx									
P3.74	0	1	1	1	0	1	User Defined RAMDAC Data 63									

Default Values:	P3.0	\$000
	P3.1	\$000
	P3.2 - P3.7:	see Table 2
	P3.8	\$000
	P3.9	\$101
	P3.10	\$002
	P3.11 - P3.74:	see Table 7

Table 7 RAMDAC Values

Default RAMDAC Contents After Reset (hex)															
0	1	2	3	4	5	6	7	8	9	10	11	12	13	14	15
000	001	003	006	00A	010	017	01F	028	033	03E	04B	059	068	078	089
16	17	18	19	20	21	22	23	24	25	26	27	28	29	30	31
09A	0AD	0C1	0D5	0EA	100	116	12D	145	15D	175	18E	1A7	1C0	1D9	1F3
32	33	34	35	36	37	38	39	40	41	42	43	44	45	46	47
20C	226	23F	258	271	28A	2A2	2BA	2D2	2E9	2FF	315	32A	33E	352	365
48	49	50	51	52	53	54	55	56	57	58	59	60	61	62	63
376	387	397	3A6	3B4	3C1	3CC	3D7	3E0	3E8	3EF	3F5	3F9	3FC	3FE	3FF

8.2.5 Program Block 4 – Gain and Offset Setup

Bit:	15	14	13	12	11	10	9	8	7	6	5	4	3	2	1	0
P4.0	1	0	Fine Input Gain 1													
P4.1	0	0	Fine Input Gain 2													
P4.2	0	0	Fine Output Gain 1													
P4.3	0	0	Fine Output Gain 2													
P4.4	0	0	Output 1 Offset Control													
P4.5	0	0	Output 2 Offset Control													
P4.6	0	0	Ramp Rate Control													
P4.7	0	0	Limiter Setting													
P4.8	0	0	Scrambler Inversion Frequency													
P4.9	0	0	Audio Filter Sequence													
P4.10	0	0	<i>reserved</i>													
P4.11	0	0	Input AGC Threshold Level													

Default values:

P4.0	\$8000	P4.6	\$0000
P4.1	\$0000	P4.7	\$3FFF
P4.2	\$0000	P4.8	\$119A
P4.3	\$0000	P4.9	\$001B
P4.4	\$0000	P4.10	\$0608
P4.5	\$0000	P4.11	\$0FFF

\$C8 (P4.0) Fine Input Gain 1 and Fine Input Gain 2

Bit:	15	14	13	12	11	10	9	8	7	6	5	4	3	2	1	0
P4.0	1	0	Fine Input Gain 1 (unsigned integer)													
P4.1	0	0	Fine Input Gain 2 (unsigned integer)													

Gain = $20 \times \log([32768-IG]/32768)$ dB. IG is the unsigned integer value in the 'Fine Input Gain' field.

Fine input gain adjustment should be kept within the range 0 to -3.5dB. This adjustment occurs after the coarse input gain adjustment (register \$B1)

\$C8 (P4.2-3) Fine Output Gain 1 and Fine Output Gain 2

Bit:	15	14	13	12	11	10	9	8	7	6	5	4	3	2	1	0
P4.2	0	0	Fine Output Gain 1 (unsigned integer)													
P4.3	0	0	Fine Output Gain 2 (unsigned integer)													

Gain = $20 \times \log([32768-OG]/32768)$ dB. OG is the unsigned integer value in the 'Fine Output Gain' field.

Fine output gain adjustment should be kept within the range 0dB to -3.5dB. This adjustment occurs before the coarse output gain adjustment (register \$B0). Alteration of Fine Output Gain 1 will affect the gain of both MOD1 and AUDIO outputs.

\$C8 (P4.4-5) Output 1 Offset and Output 2 Offset

Bit:	15	14	13	12	11	10	9	8	7	6	5	4	3	2	1	0
P4.4	0	0	2's complement Offset for MOD1, resolution = $AV_{DD} / 65536$ per LSB													
P4.5	0	0	2's complement Offset for MOD2, resolution = $AV_{DD} / 65536$ per LSB													

The programmed value is subtracted from the output signal. Can be used to compensate for inherent offsets in the output path via MOD1 (Output 1 Offset) and MOD2 (Output 2 Offset). It is recommended that the offset correction is kept within the range +/-50mV. This adjustment occurs before the coarse output gain adjustment (register \$B0), therefore an alteration to the latter register will require a compensation to be made to the output offsets.

\$C8 (P4.6) Ramp Rate Control

Bit:	15	14	13	12	11	10	9	8	7	6	5	4	3	2	1	0		
P4.6	0	0	Ramp Rate Up Control (RRU)								Ramp Rate Down Control (RRD)							

The ramp-up and ramp-down rates can be independently programmed. The ramp rates apply to all the analogue output ports. They only affect those ports being turned on (ramp-up) or turned off (ramp down). The ramp rates should be programmed before ramping any outputs.

$$\begin{aligned} \text{Time to ramp-up to full gain} &= (1 + \text{RRU}) \times 1.333\text{ms} \\ \text{Time to ramp down to zero gain} &= (1 + \text{RRD}) \times 1.333\text{ms} \end{aligned}$$

Ramp up starts from when the transmit mode starts (Mode Control Register \$C1:b1 set to 1). Ramp down starts from when transmit mode is turned off (Mode Control Register \$C1:b1 cleared to 0).

\$C8 (P4.7) Transmit Limiter Control

Bit:	15	14	13	12	11	10	9	8	7	6	5	4	3	2	1	0
P4.7	0	0	Limiter Setting													

This unsigned number sets the clipping point (maximum deviation from the centre value) for the MOD1 and MOD2 pins. The maximum setting (\$3FFF) is $V_{BIAS} \pm (AV_{DD}/2)$ i.e. output limited from 0 to AV_{DD} .

For an AV_{DD} of 3.3V, the resolution is approx. 0.3mV per LSB.

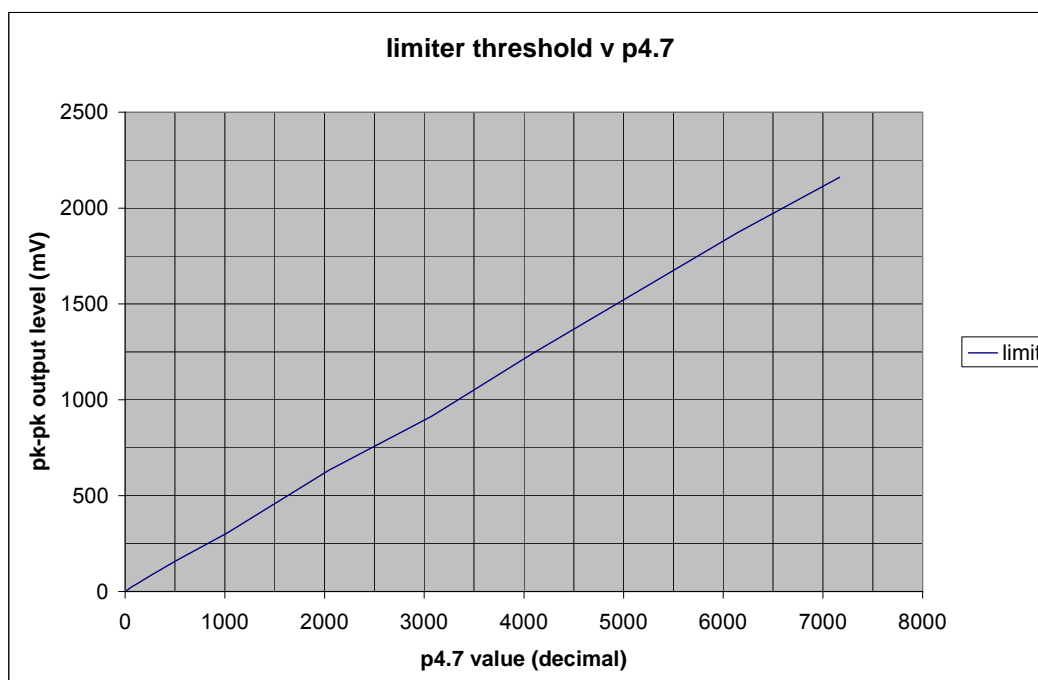


Figure 15 Limiter Values

The limiter is set to maximum following a C-BUS Reset or a Power-up Reset. The levels of internally generated signals may need to be adjusted by setting appropriate transmit levels to avoid unintentional limiting.

\$C8 (P4.8) Scrambler Inversion Frequency

Bit:	15	14	13	12	11	10	9	8	7	6	5	4	3	2	1	0
P4.8	0	0	Scrambler Inversion Frequency = f / 0.7324													

This unsigned hex number sets the inversion frequency for the Voice Scrambler and de-Scrambler (Default is 3300Hz).

\$C8 (P4.9) Audio Filter Sequence

Bit:	15	14	13	12	11	10	9	8	7	6	5	4	3	2	1	0
P4.9	0	0	Limit	src	Input AGC				Pre-emp		0	0	Scramble		300Hz	

b13 sets the position of the limiter in the Audio Processing chain. The default is a soft limiter function; setting this bit provides a hard limiter function.

b12 sets the source of the reference signal when InputAGC function is active.

- 0 = Audio Input
- 1 = Pre-emphasis output

b11-8 control the hardware InputAGC function and its release timer for Voice / Audio signals on Input 1 in 64ms steps:

- 0000 InputAGC off
- 0001 InputAGC on, release time = 64ms
- 0010 InputAGC on, release time = 128ms
- 0011 InputAGC on, release time = 196ms
- 0100 InputAGC on, release time = 256ms
- 0101 InputAGC on, release time = 320ms
-
- 1111 InputAGC on, release time = 960ms

b7-0 set the order of the Audio Filter processing. This feature can be used to optimise the signal to noise performance of particular radio hardware designs. Each filter/process block can be specified in any order. Each two-bit field specifies the order in which the process will be executed in Tx mode, therefore it is imperative that each set of bit fields be different. The reverse sequence is used in Rx mode. The Voice Filter and Soft Limiter will always be implemented as the final block in the Tx sequence.

The default settings are:

- o Pre-emp: 00
- o Scramble: 10
- o 300Hz HPF: 11

which will implement the line-up as shown in Figure 16 and Figure 17:

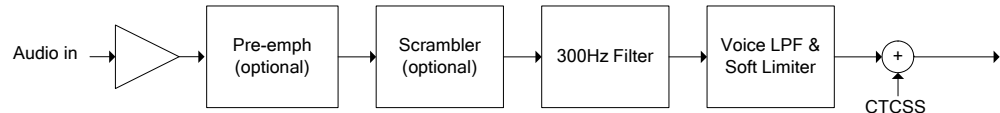


Figure 16 Default Tx Audio Filter Line-up

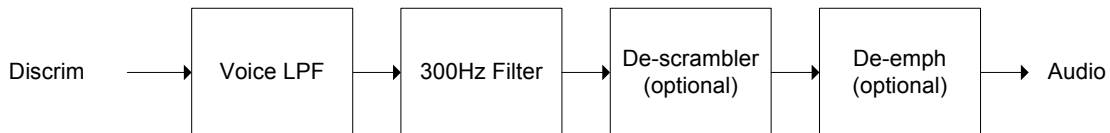


Figure 17 Default Rx Audio Filter Line-up

An alternative, preferred, line-up is shown in Figure 18 and Figure 19, for the following settings:

(P4.9 = \$004B):

- o Pre-emp: 01
- o Scramble: 10
- o 300Hz HPF: 11

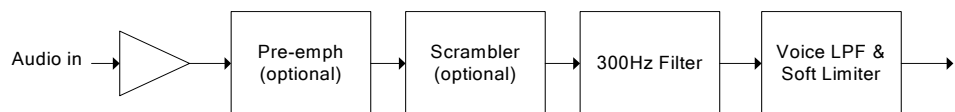


Figure 18 Preferred Tx Audio Filter Line-up

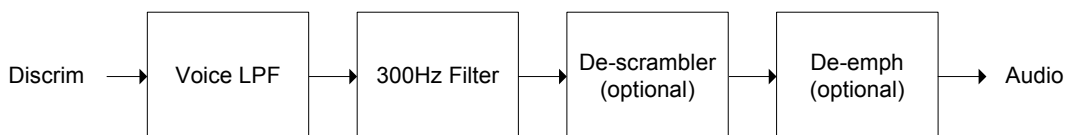


Figure 19 Preferred Rx Audio Filter Line-up

\$C8 (P4.10) Reserved – do not use

Bit:	15	14	13	12	11	10	9	8	7	6	5	4	3	2	1	0
P4.10	0	0	reserved – set to \$0608													

Reserved – set to \$0608

\$C8 (P4.11) Input AGC Threshold Level

Bit:	15	14	13	12	11	10	9	8	7	6	5	4	3	2	1	0
P4.11	0	0	Threshold Setting, resolution = $AV_{DD}/16384$ per LSB													

This unsigned number sets the threshold point (maximum deviation from the centre value) for the Input AGC function, where the input gain will be stepped to avoid exceeding the specification limits.

The threshold is set to half of full-scale ($\$0FFF = V_{BIAS} \pm (AV_{DD}/4)$) following a C-BUS Reset or a Power-Up Reset.

8.2.6 Initialisation of the Program Blocks

Removal of the Signal Processing block from reset (Power Down register, \$C0:b5 1→0 transition), with b4 kept low (= 0), will cause all of the Program Blocks (P0 – P4) to be reset to their default values.

9 Performance Specification

9.1 Electrical Performance

9.1.1 Absolute Maximum Ratings

Exceeding these maximum ratings can result in damage to the device.

	Min.	Max.	Unit
Supply: $DV_{DD} - DV_{SS}$	-0.3	4.5	V
$AV_{DD} - AV_{SS}$	-0.3	4.5	V
Voltage on any pin to DV_{SS}	-0.3	$DV_{DD} + 0.3$	V
Voltage on any pin to AV_{SS}	-0.3	$AV_{DD} + 0.3$	V
Current into or out of any power supply pin (excluding VBIAS)	-30	+30	mA
(i.e. VDEC, AVDD, AVSS, DVDD, DVSS)			
Current into or out of any other pin	-20	+20	mA
Voltage differential between power supplies:			
DV_{DD} and AV_{DD}	0	0.3	V
DV_{SS} and AV_{SS}	0	50	mV

Q3 Package (48-pin VQFN)	Min.	Max.	Unit
Total Allowable Power Dissipation at $T_{amb} = 25^{\circ}\text{C}$	–	1750	mW
... Derating	–	17.5	mW/ $^{\circ}\text{C}$
Storage Temperature	-55	+125	$^{\circ}\text{C}$
Operating Temperature	-40	+85	$^{\circ}\text{C}$

L4 Package (48-pin LQFP)	Min.	Max.	Unit
Total Allowable Power Dissipation at $T_{amb} = 25^{\circ}\text{C}$	–	1600	mW
... Derating	–	16	mW/ $^{\circ}\text{C}$
Storage Temperature	-55	+125	$^{\circ}\text{C}$
Operating Temperature	-40	+85	$^{\circ}\text{C}$

9.1.2 Operating Limits

Correct operation of the device outside these limits is not implied.

	Notes	Min.	Max.	Unit
Supply Voltage:				
$DV_{DD} - DV_{SS}$		3.0	3.6	V
$AV_{DD} - AV_{SS}$		3.0	3.6	V
$V_{DEC} - DV_{SS}$	12	2.25	2.75	V
Operating Temperature		-40	+85	$^{\circ}\text{C}$
XTAL/CLK Frequency (using a Xtal)	11	3.0	12.288	MHz
XTAL/CLK Frequency (using an external clock)	11	3.0	24.576	MHz

- Notes:**
- 11 Nominal XTAL/CLK frequency is 3.6864MHz.
 - 12 The VDEC supply is automatically created from DVDD by the on-chip voltage regulator.

9.1.3 Operating Characteristics

For the following conditions unless otherwise specified:

External components as recommended in Figure 2.

Maximum load on digital outputs = 30pF.

Xtal Frequency = 3.6864MHz \pm 0.01% (100ppm); Tamb = -40°C to +85°C.

AV_{DD} = DV_{DD} = 3.0V to 3.6V.

Reference Signal Level = 308mV rms at 1kHz with AV_{DD} = 3.3V.

Signal levels track with supply voltage, so scale accordingly.

Signal to Noise Ratio (SNR) in bit rate bandwidth.

Input stage gain = 0dB. Output stage attenuation = 0dB.

DC Parameters	Notes	Min.	Typ.	Max.	Unit
Supply Current	21				
All Powersaved					
DI _{DD} (DV _{DD} = 3.3V, V _{DEC} = 2.5V)		–	8	100	μA
AI _{DD} (AV _{DD} = 3.3V)		–	4	20	μA
Idle Mode	22				
DI _{DD} (DV _{DD} = 3.3V, V _{DEC} = 2.5V)		–	1.12	–	mA
AI _{DD} (AV _{DD} = 3.3V)		–	50	–	μA
Rx Mode	22				
DI _{DD} (DV _{DD} = 3.3V, V _{DEC} = 2.5V)		–	5.00	–	mA
AI _{DD} (AV _{DD} = 3.3V)		–	3.20	–	mA
Tx Mode	22				
DI _{DD} (DV _{DD} = 3.3V, V _{DEC} = 2.5V)		–	5.75	–	mA
AI _{DD} (AV _{DD} = 3.3V)	24	–	3.20	–	mA
Additional current for Auxiliary ADC					
DI _{DD} (DV _{DD} = 3.3V, V _{DEC} = 2.5V)		–	50	–	μA
Additional current for each Auxiliary DAC					
AI _{DD} (AV _{DD} = 3.3V)		–	200	–	μA

- Notes:**
- 21 Tamb = 25°C. Not including any current drawn from the device pins by external circuitry.
 - 22 Auxiliary circuits disabled, Bias enabled.
 - 24 Single MOD output enabled.

DC Parameters (continued)		Notes	Min.	Typ.	Max.	Unit
XTAL/CLK		25				
Input Logic 1			70%	–	–	DV _{DD}
Input Logic 0			–	–	30%	DV _{DD}
Input Current (V _{in} = DV _{DD})			–	–	40	µA
Input Current (V _{in} = DV _{SS})			–40	–	–	µA
C-BUS Interface and Logic Inputs						
Input Logic 1			70%	–	–	DV _{DD}
Input Logic 0			–	–	30%	DV _{DD}
Input Leakage Current (Logic 1 or 0)		21	–1.0	–	1.0	µA
Input Capacitance			–	–	7.5	pF
C-BUS Interface and Logic Outputs						
Output Logic 1	(I _{OH} = 120µA)		90%	–	–	DV _{DD}
	(I _{OH} = 1mA)		80%	–	–	DV _{DD}
Output Logic 0	(I _{OL} = 360µA)		–	–	10%	DV _{DD}
	(I _{OL} = –1.5mA)		–	–	15%	DV _{DD}
“Off” State Leakage Current		21	–	–	10	µA
IRQN	(V _{out} = DV _{DD})		–1.0	–	+1.0	µA
RDATA (output HiZ)			–1.0	–	+1.0	µA
V_{BIAS}		26				
Output Voltage Offset wrt AV _{DD} /2 (I _{OL} < 1µA)			–	±2%	–	AV _{DD}
Output Impedance			–	22	–	kΩ

Notes: 25 Characteristics when driving the XTAL/CLK pin with an external clock source.
 26 Applies when utilising V_{BIAS} to provide a reference voltage to other parts of the system. When using V_{BIAS} as a reference, V_{BIAS} must be buffered. V_{BIAS} must always be decoupled with a capacitor as shown in Figure 2.

AC Parameters (continued)	Notes	Min.	Typ.	Max.	Unit
XTAL/CLK Input					
'High' Pulse Width	31	15	–	–	ns
'Low' Pulse Width	31	15	–	–	ns
Input Impedance (measured at 6.144MHz)					
Powered-up					
Resistance		–	150	–	k Ω
Capacitance		–	20	–	pF
Powered-down					
Resistance		–	300	–	k Ω
Capacitance		–	20	–	pF
Xtal Start Up (from powersave)		–	400	–	ms
V_{BIAS}					
Start up time (from powersave)		–	30	–	ms
Microphone, Alternative and Discriminator Inputs (MICN, ALTN, DISCN)					
Input impedance	34	–	1	–	M Ω
Maximum Input Level (pk-pk)	35	–	–	80%	AV _{DD}
Load Resistance (feedback pins)		80	–	–	k Ω
Amplifier Open Loop Voltage Gain (I/P = 1mV rms at 100Hz)		–	60	–	dB
Unity Gain Bandwidth		–	1.0	–	MHz
Programmable Input Gain Stage					
Gain (at 0dB)	37	–0.5	0	+0.5	dB
Cumulative Gain Error (wrt attenuation at 0dB)	37	–1.0	0	+1.0	dB

Notes:	31	Timing for an external input to the XTAL/CLK pin.
	34	With no external components connected.
	35	Centred about AV _{DD} /2; after multiplying by the gain of input circuit (with external components connected).
	36	Gain applied to signal at output of buffer amplifier: DISCFB, ALTFB OR MICFB
	37	Design value for this block only in test mode. Overall attenuation input to output has a tolerance of 0dB \pm 1.0dB.

AC Parameters (continued)	Notes	Min.	Typ.	Max.	Unit
Modulator Outputs 1/2 and Audio Output (MOD1, MOD2, AUDIO)					
Power-up to Output Stable	41	–	50	100	µs
Modulator Attenuators					
Attenuation (at 0dB)	43	–1.0	0	+1.0	dB
Cumulative Attenuation Error (wrt attenuation at 0dB)		–0.6	0	+0.6	dB
Output Impedance	42	–	600	–	Ω
	42	–	500	–	kΩ
Output Current Range (AV _{DD} = 3.3V)		–	–	±125	µA
Output Voltage Range	44	0.5	–	AV _{DD} – 0.5	V
Load Resistance		20	–	–	kΩ
Audio Attenuator					
Attenuation (at 0dB)	43	–1.0	0	+1.0	dB
Cumulative Attenuation Error (wrt attenuation at 0dB)		–1.0	0	+1.0	dB
Output Impedance	42	–	600	–	Ω
	42	–	500	–	kΩ
Output Current Range (AV _{DD} = 3.3V)		–	–	±125	µA
Output Voltage Range	44	0.5	–	AV _{DD} – 0.5	V
Load Resistance		20	–	–	kΩ

Notes:	41	Power-up refers to issuing a C-BUS command to turn on an output. These limits apply only if V _{BIAS} is on and stable. At power supply switch-on, the default state is for all blocks, except the XTAL and C-BUS interface, to be placed in powersave mode.
	42	Small signal impedance, at AV _{DD} = 3.3V and Tamb = 25°C.
	43	With respect to the signal at the feedback pin of the selected input port.
	44	Centred about AV _{DD} /2; with respect to the output driving a 20kΩ load to AV _{DD} /2.

AC Parameters (continued)	Notes	Min.	Typ.	Max.	Unit
Auxiliary Signal Inputs (Aux ADC 1)					
Source Output Impedance	51	–	–	24	k Ω
Auxiliary 10 Bit ADC					
Resolution		–	10	–	Bits
Maximum Input Level (pk-pk)	54	–	–	80%	AV_{DD}
Conversion Time	52	–	250	–	μ s
Input Impedance					
Resistance		–	10	–	M Ω
Capacitance		–	5	–	pF
Zero Error (input offset to give ADC output = 0)	}	0	–	± 10	mV
Integral Non-linearity		–	–	± 3	LSBs
Differential Non-linearity	53	–	–	± 1	LSBs
Auxiliary 10 Bit DACs					
Resolution		–	10	–	Bits
Maximum Output Level (pk-pk), no load	54	80%	–	–	AV_{DD}
Zero Error (output offset from a DAC input = 0)	}	0	–	± 10	mV
Resistive Load		5	–	–	–
Integral Non-linearity		–	–	± 4	LSBs
Differential Non-linearity	53	–	–	± 1	LSBs

Notes:	51	Denotes output impedance of the driver of the auxiliary input signal, to ensure < 1 bit additional error under nominal conditions.
	52	With an auxiliary clock frequency of 3.6864MHz.
	53	Guaranteed monotonic with no missing codes.
	54	Level centered about $AV_{DD}/2$.

9.1.4 Parametric Performance

For the following conditions unless otherwise specified:

External components as recommended in Figure 2.

Maximum load on digital outputs = 30pF.

Xtal Frequency = 3.6864MHz±0.003% (30ppm)[§]; Tamb = -40°C to +85°C.

AV_{DD} = DV_{DD} = 3.0V to 3.6V.

Reference Signal Level = 308mVrms at 1kHz with AV_{DD} = 3.3V.

Signal levels track with supply voltage, so scale accordingly.

Signal to Noise Ratio (SNR) in bit rate bandwidth.

Input stage gain = 0dB, Output stage attenuation = 0dB.

AC Parameters	Notes	Min.	Typ.	Max.	Unit
DSC Decoder					
Signal Input Dynamic Range	81	100	–	800	mVrms
Bit Error Rate (SNR = 8dB)	81	–	<1	–	10 ⁻²
Co-channel Rejection		–	10	–	dB
Bit Rate Sync Time		–	2	–	edges
DTMF Decoder					
Sensitivity		–	-22	+3	dB
Response Time		–	35	–	ms
De-response Time		–	–	45	ms
Falsing Rate (per 30min voice input)		–	10	–	
Frequency Tolerance		–	±2.5	–	%
Twist		-10	–	+10	dB
NWR Decoder					
Sensitivity		–	TBD	–	dB
Inband Tone Encoder					
Frequency Range		288	–	3000	Hz
Tone Frequency Accuracy		–	–	±0.3	%
Tone Amplitude Tolerance	83	-1.0	0	+1.0	dB
Total Harmonic Distortion	82	–	2.0	4.0	%
DTMF Encoder					
Output Signal Level	84	–	775	–	mVrms
Output Level Variation		–	± 0.5	–	dB
Output Distortion		–	–	5	%
DSC Encoder					
Output Signal Level		–	775	–	mVrms
Output Distortion		–	–	5	%
3 rd Harmonic Distortion		–	–	3	%
Logic 1 Frequency		–	1300	–	Hz
Logic 0 Frequency		–	2100	–	Hz
Baud Rate		–	1200	–	bps
Pre-emphasis (per octave)		–	6	–	dB

Notes:	§	To meet DSC specifications, a 30ppm xtal, or better, is required.
	81	AV _{DD} = 3.3V, for a "101010101 ... 01" pattern measured at the input amplifier feedback pin. Signal level scales with AV _{DD} .
	82	Measured at MOD1 or MOD2 output.
	83	AV _{DD} = 3.3V and Tx Audio Level set to 871mV p-p (308mVrms).
84	AV _{DD} = 3.3V. Measured in single tone mode, P1.0 set to \$2FFE.	

AC Parameters (continued)	Notes	Min.	Typ.	Max.	Unit
Analogue Channel Audio Filtering					
Pass-band (nominal bandwidth):					
Received Audio	91	300	–	3300	Hz
12.5kHz Channel Transmitted Audio	92	300	–	2550	Hz
25kHz Channel Transmitted Audio	93	300	–	3000	Hz
Pass-band Gain (at 1.0kHz)		–	0	–	dB
Pass-band Ripple (wrt gain at 1.0kHz)		–2.0	0	+0.5	dB
Stop-band Attenuation		33.0	–	–	dB
Residual Hum and Noise Tx	96	–	–47	–	dBm
Residual Hum and Noise Rx	96	–	–74	–	dBm
Pre-emphasis	94	–	+6	–	dB/oct
De-emphasis	95	–	–6	–	dB/oct
Audio Scrambler					
Inversion Frequency		–	3300	–	Hz
Passband		300	–	3000	Hz

- Notes:**
- 91 The receiver audio filter complies with the characteristic shown in Figure 6. The high pass filtering removes sub-audio components from the audio signal.
 - 92 The 12.5kHz channel filter complies with the characteristic shown in Figure 9.
 - 93 The 25kHz channel filter complies with the characteristic shown in Figure 8.
 - 94 The pre-emphasis filter complies with the characteristic shown in Figure 10.
 - 95 The de-emphasis filter complies with the characteristic shown in Figure 7.
 - 96 Psophometrically weighted. Pre/de-emphasis and 25kHz channel filter selected.

9.2 C-BUS Timing

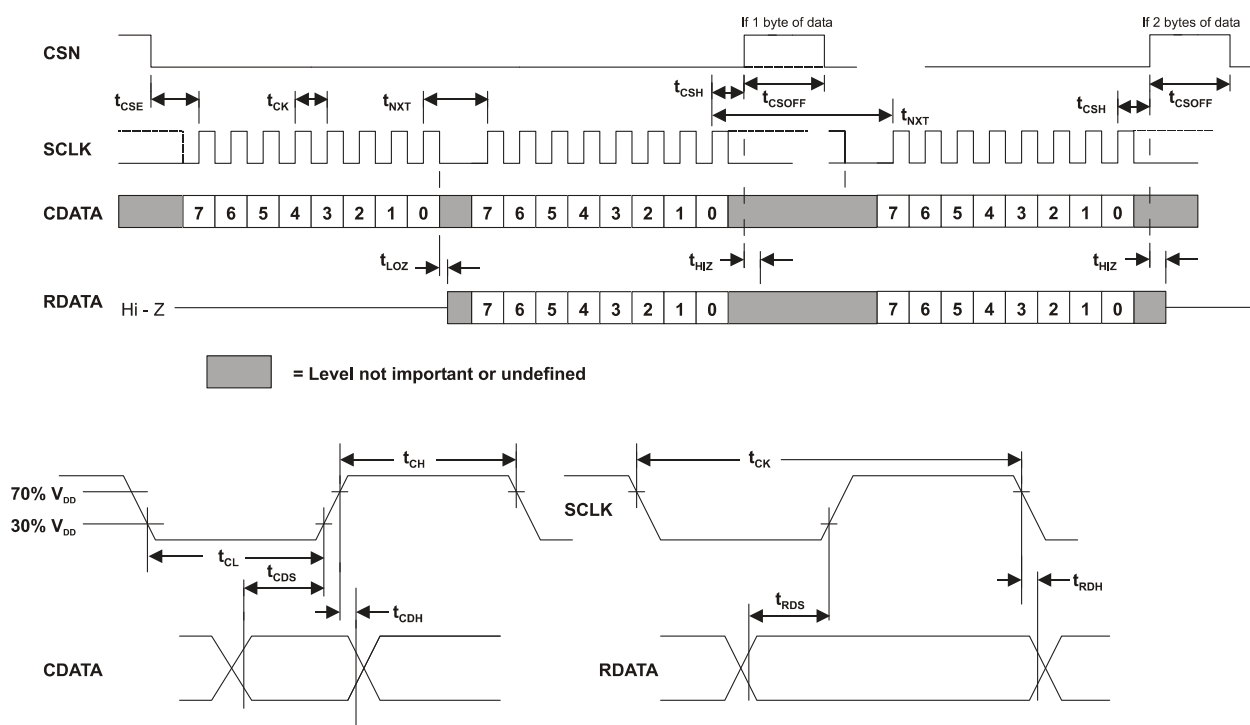


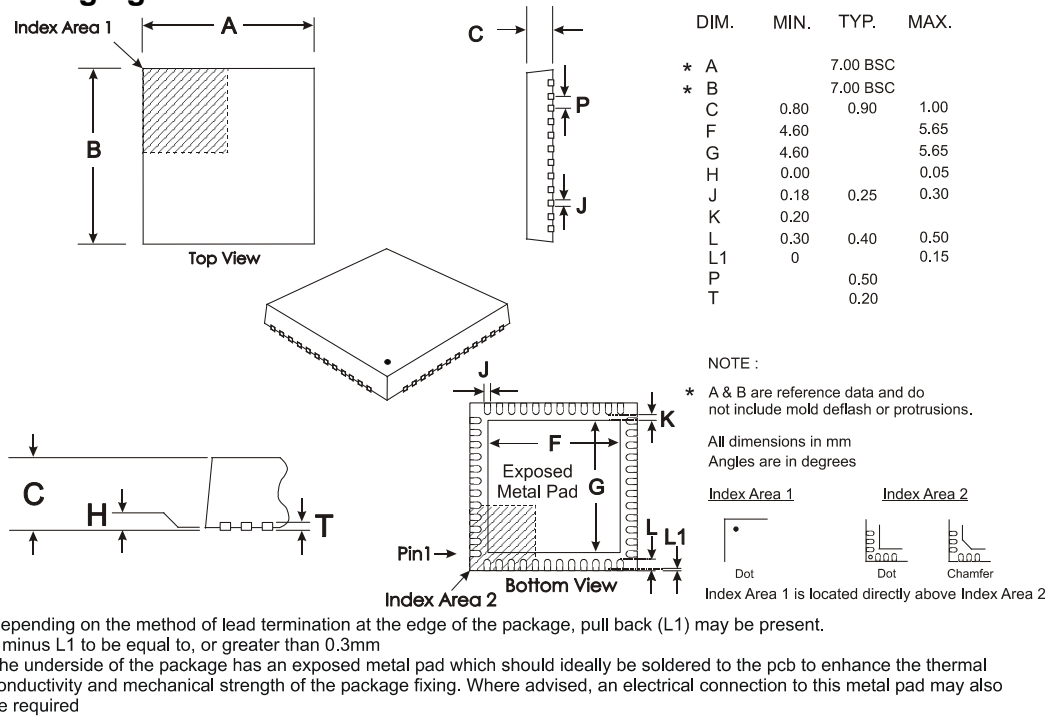
Figure 20 C-BUS Timing

C-BUS Timing	Notes	Min.	Typ.	Max.	Unit
t_{CSE}	CSN Enable to SCLK high time	100	–	–	ns
t_{CSH}	Last SCLK high to CSN high time	100	–	–	ns
t_{LOZ}	SCLK low to RDATA Output Enable time	0.0	–	–	ns
t_{HIZ}	CSN high to RDATA high impedance	–	–	1.0	μ s
t_{CSOFF}	CSN high time between transactions	1.0	–	–	μ s
t_{NXT}	Inter-byte time	200	–	–	ns
t_{CK}	SCLK cycle time	200	–	–	ns
t_{CH}	SCLK high time	100	–	–	ns
t_{CL}	SCLK low time	100	–	–	ns
t_{CDS}	CDATA setup time	75	–	–	ns
t_{CDH}	CDATA hold time	25	–	–	ns
t_{RDS}	RDATA setup time	50	–	–	ns
t_{RDH}	RDATA hold time	0	–	–	ns

- Notes:**
- Depending on the command, 1 or 2 bytes of CDATA are transmitted to the peripheral MSB (Bit 7) first, LSB (Bit 0) last. RDATA is read from the peripheral MSB (Bit 7) first, LSB (Bit 0) last.
 - Data is clocked into the peripheral on the rising SCLK edge.
 - Commands are acted upon at the end of each command (rising edge of CSN).
 - To allow for differing μ C serial interface formats, C-BUS compatible ICs are able to work with SCLK pulses starting and ending at either polarity.
 - Maximum 30pF load on IRQN pin and each C-BUS interface line.

These timings are for the latest version of C-BUS and allow faster transfers than the original C-BUS timing specification. The CMX885 can be used in conjunction with devices that comply with the slower timings, subject to system throughput constraints.

9.3 Packaging



Depending on the method of lead termination at the edge of the package, pull back (L1) may be present.
 L minus L1 to be equal to, or greater than 0.3mm
 The underside of the package has an exposed metal pad which should ideally be soldered to the pcb to enhance the thermal conductivity and mechanical strength of the package fixing. Where advised, an electrical connection to this metal pad may also be required

Figure 21 Mechanical Outline of 48-pin VQFN (Q3)

Order as part no. CMX885Q3

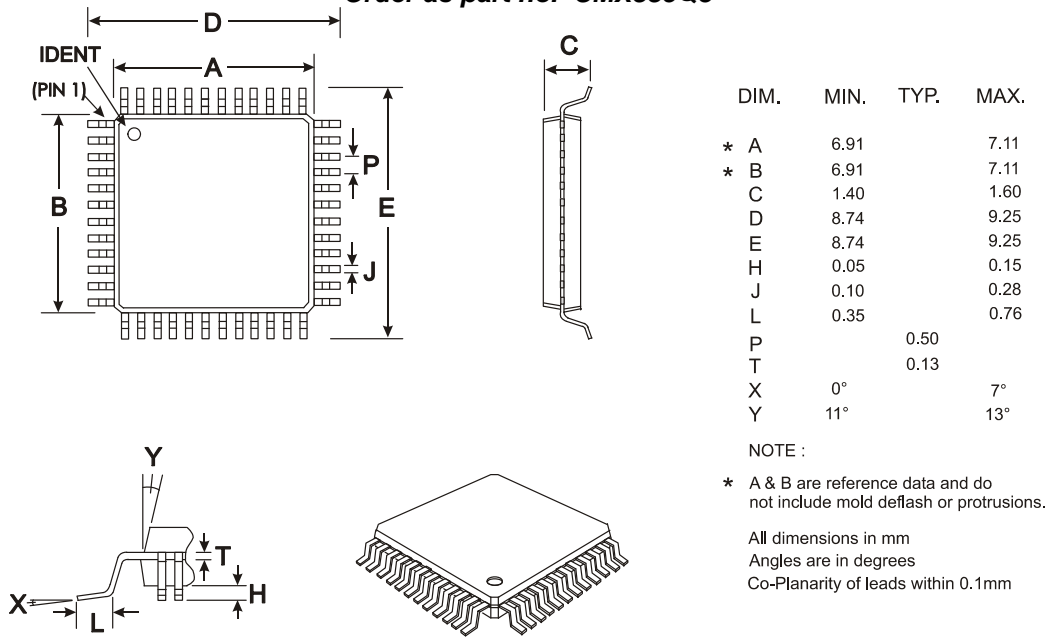


Figure 22 Mechanical Outline of 48-pin LQFP (L4)

Order as part no. CMX885L4

As package dimensions may change after publication of this datasheet, it is recommended that you check for the latest Packaging Information from the Datasheet page of the CML website: [www.cmlmicro.com].

Handling precautions: This product includes input protection, however, precautions should be taken to prevent device damage from electro-static discharge. CML does not assume any responsibility for the use of any circuitry described. No IPR or circuit patent licences are implied. CML reserves the right at any time without notice to change the said circuitry and this product specification. CML has a policy of testing every product shipped using calibrated test equipment to ensure compliance with this product specification. Specific testing of all circuit parameters is not necessarily performed.

 CML Microcircuits (UK) Ltd <small>COMMUNICATION SEMICONDUCTORS</small>	 CML Microcircuits (USA) Inc. <small>COMMUNICATION SEMICONDUCTORS</small>	 CML Microcircuits (Singapore) Pte Ltd <small>COMMUNICATION SEMICONDUCTORS</small>
Tel: +44 (0)1621 875500 Fax: +44 (0)1621 875600 Sales: sales@cmlmicro.com Tech Support: techsupport@cmlmicro.com	Tel: +1 336 744 5050 800 638 5577 Fax: +1 336 744 5054 Sales: us.sales@cmlmicro.com Tech Support: us.techsupport@cmlmicro.com	Tel: +65 62 888129 Fax: +65 62 888230 Sales: sg.sales@cmlmicro.com Tech Support: sg.techsupport@cmlmicro.com
- www.cmlmicro.com -		